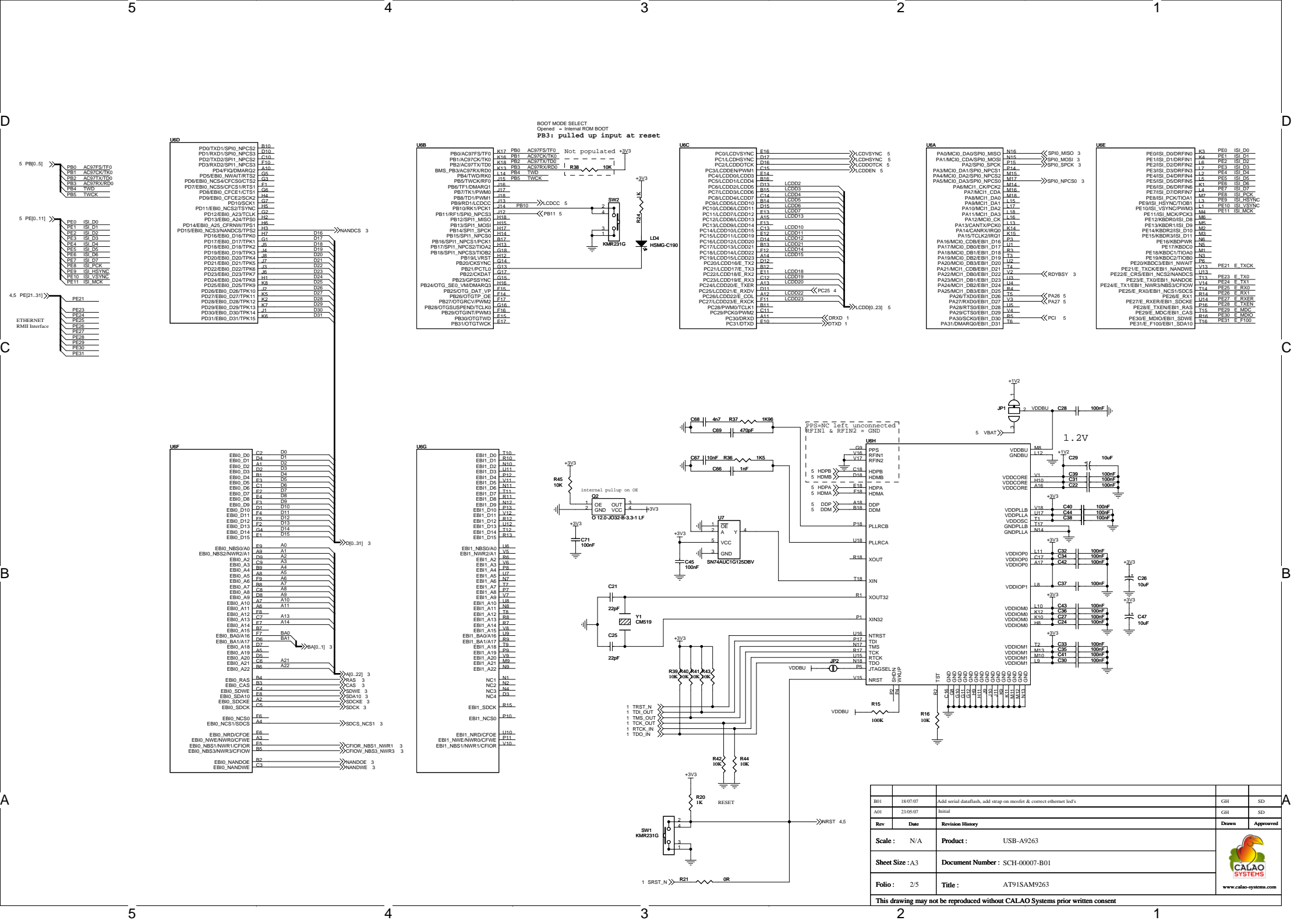
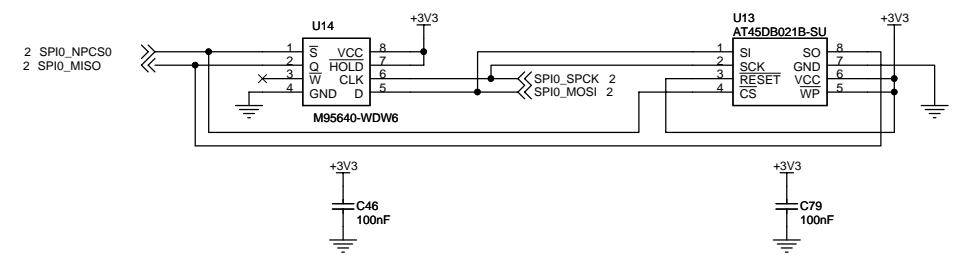
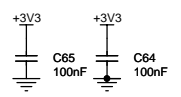
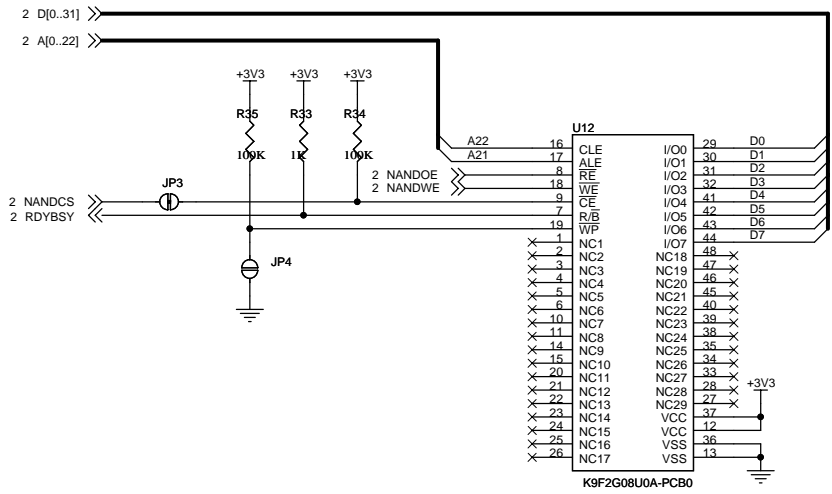
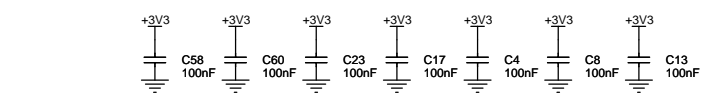
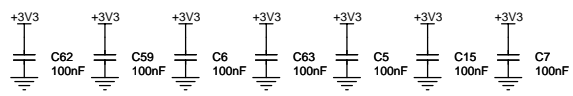
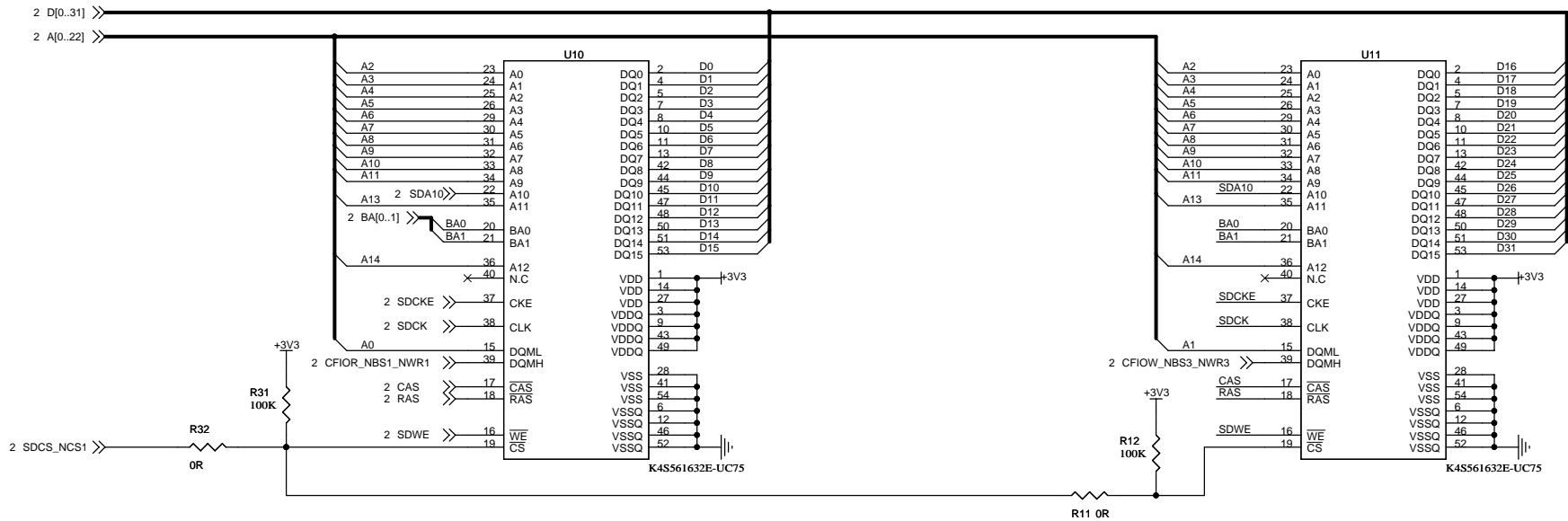



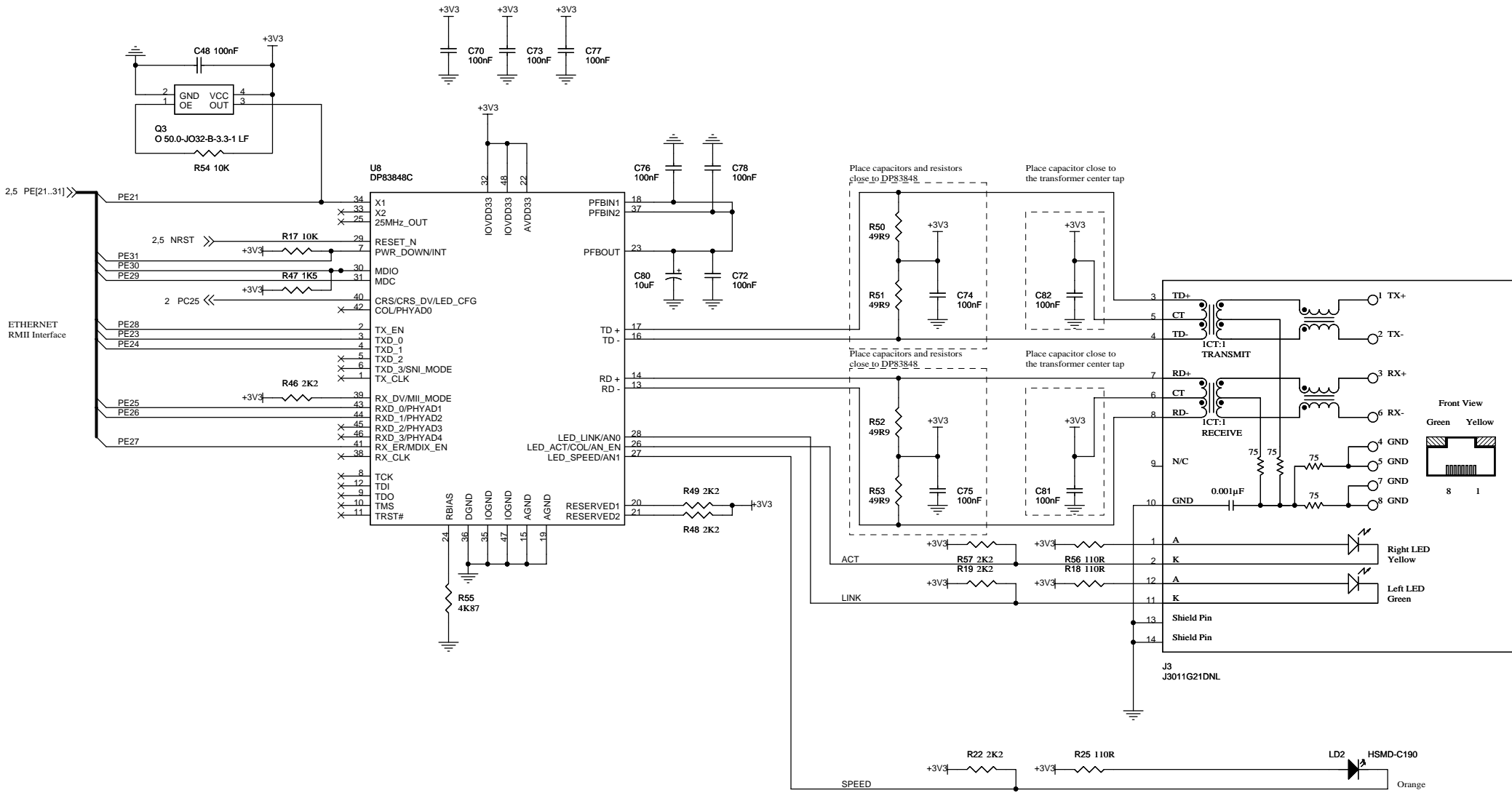
Rev	Date	Revision History	Drawn	Approved
B01	18/07/07	Add serial dataflash, add strap on mosfet & correct ethernet led's	GH	SD
A01	23/05/07	Initial	GH	SD
Scale : N/A		Product : USB-A9263		
Sheet Size : A3		Document Number : SCH-00007-B01		
Folio : 1/5		Title : Power / USB to JTAG / USB to DBGU		
This drawing may not be reproduced without CALAO Systems prior written consent				







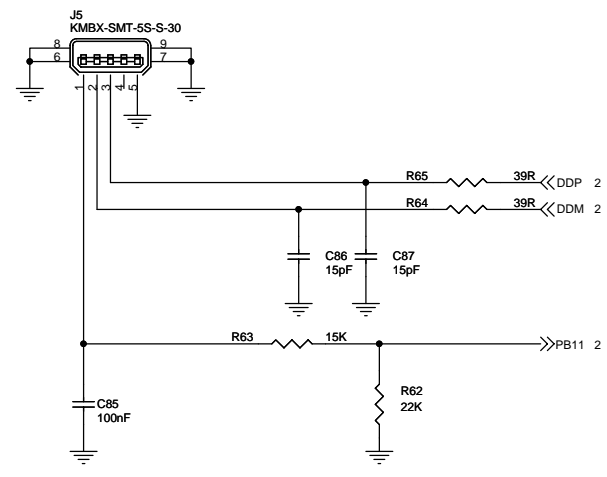
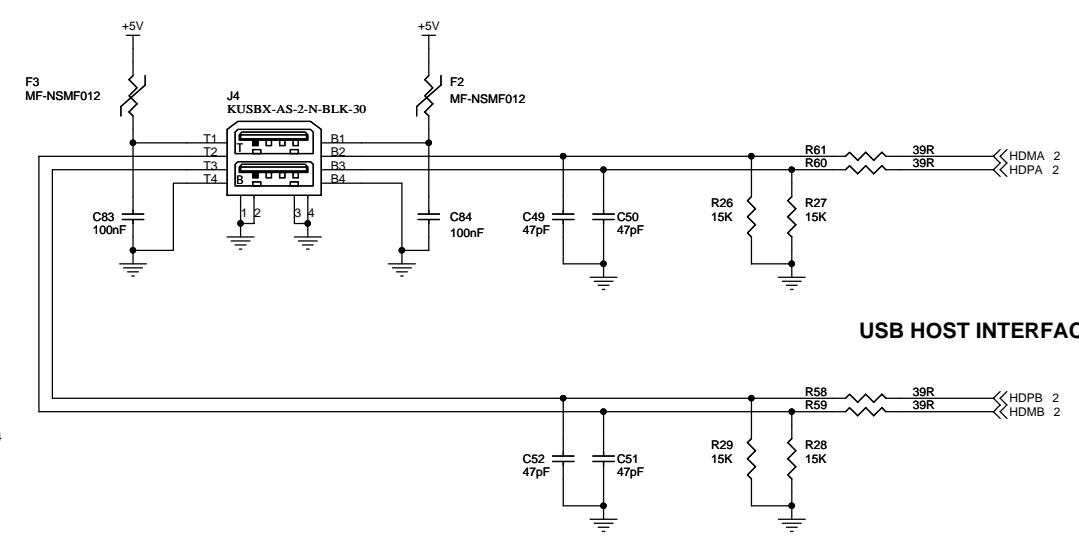
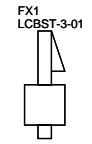
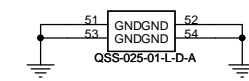
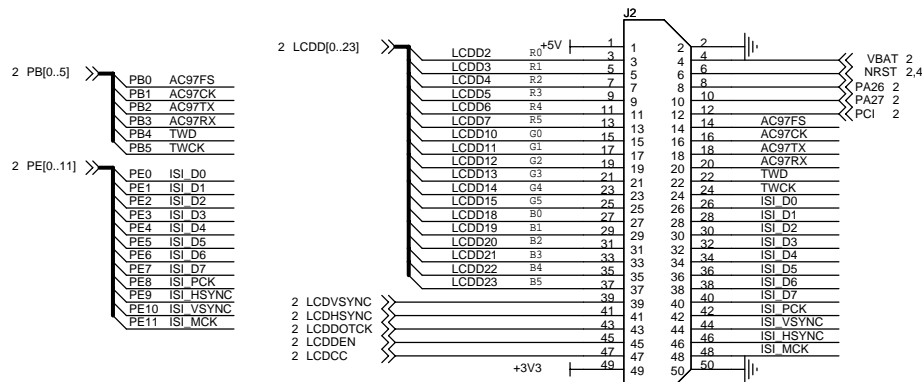
Rev	Date	Revision History	Drawn	Approved
B01	18/07/07	Add serial dataflash, add strap on mosfet & correct ethernet led's	GH	SD
A01	23/05/07	Initial	GH	SD
Scale : N/A		Product : USB-A9263	 www.calao-systems.com	
Sheet Size : A3		Document Number : SCH-00007-B01		
Folio : 3/5		Title : SDRAM & NAND FLASH		
This drawing may not be reproduced without CALAO Systems prior written consent				




B01	18/07/07	Add serial dataflash, add strap on mosfet & correct ethernet led's	GH	SD
A01	23/05/07	Initial	GH	SD
Rev	Date	Revision History	Drawn	Approved
Scale :	N/A	Product :	USB-A9263	
Sheet Size :	A3	Document Number :	SCH-00007-B01	
Folio :	4/5	Title :	ETHERNET	



This drawing may not be reproduced without CALAO Systems prior written consent



Rev	Date	Revision History	Drawn	Approved
B01	18/07/07	Add serial dataflash, add strap on mosfet & correct ethernet led's	GH	SD
A01	23/05/07	Initial	GH	SD
Scale : N/A		Product : USB-A9263	 www.calao-systems.com	
Sheet Size : A3		Document Number : SCH-00007-B01		
Folio : 5/5		Title : USB & I/O CONNECTOR		
This drawing may not be reproduced without CALAO Systems prior written consent				