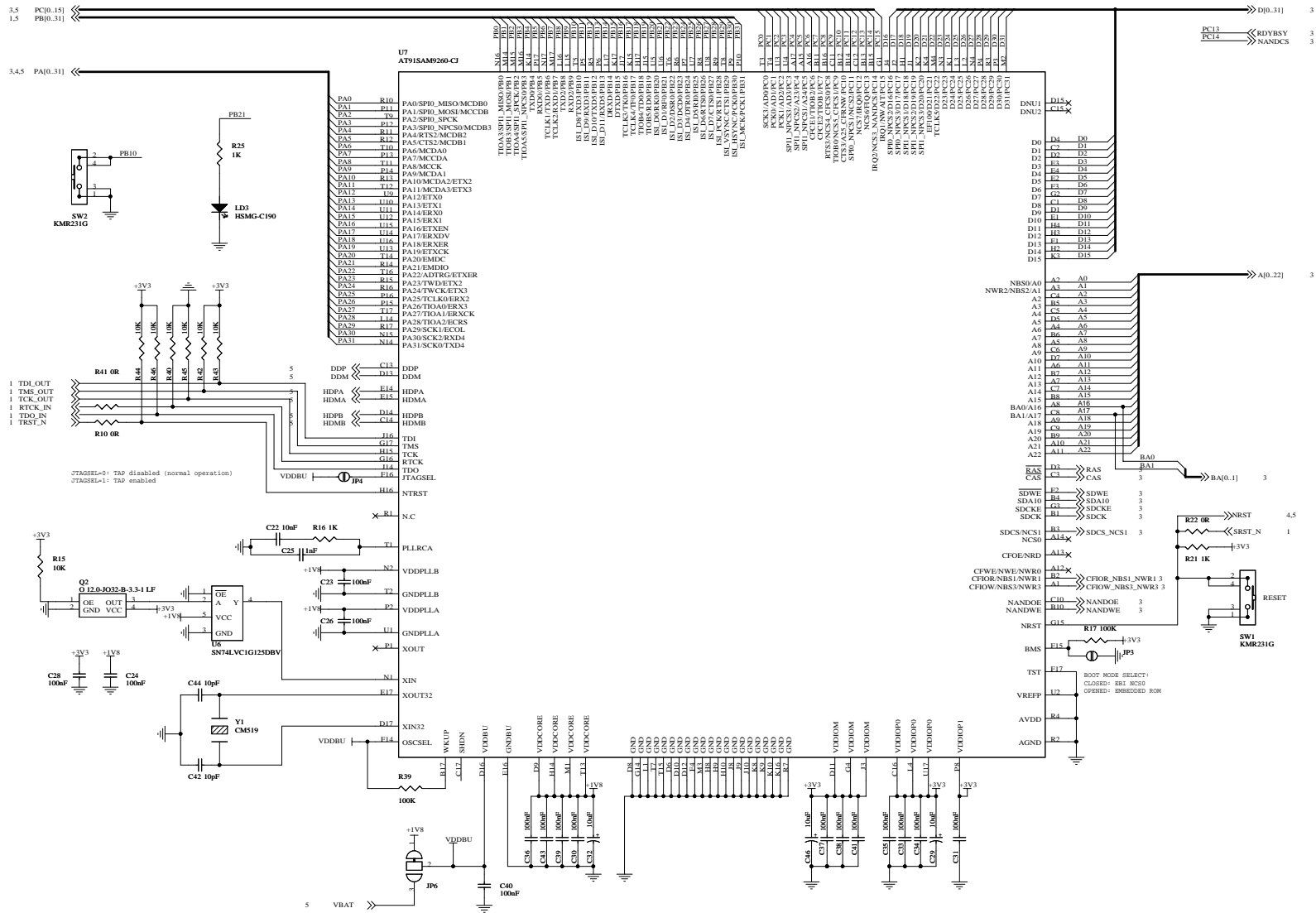


Rev	Date	Revision History	Drawn	Approved
B01	18/07/07	Add serial dataflash, add strap on mosfet & correct ethernet led's	SD	GH
A01	11/05/07	Initial	SD	GH
Scale :	N/A	Product :	USB-A9260	
Sheet Size :	A3	Document Number :	SCH-00004-B01	
Folio :	1/5	Title :	Power / USB to JTAG / USB to DBGU	
This drawing may not be reproduced without CALAO Systems prior written consent				

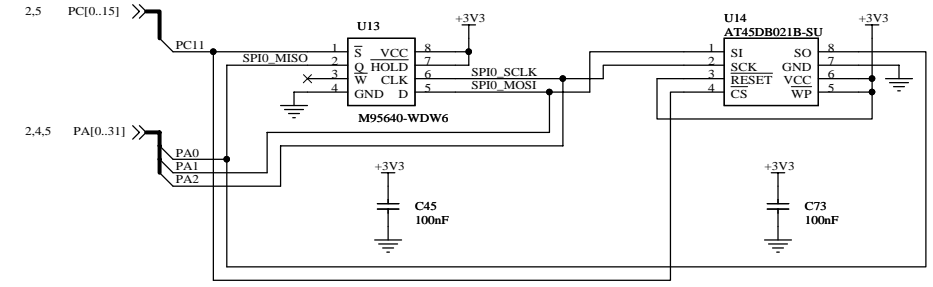
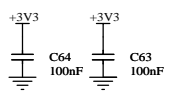
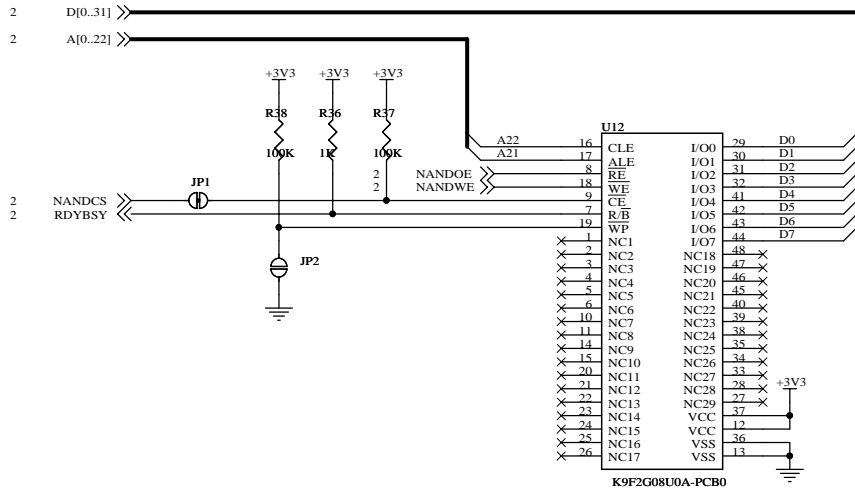
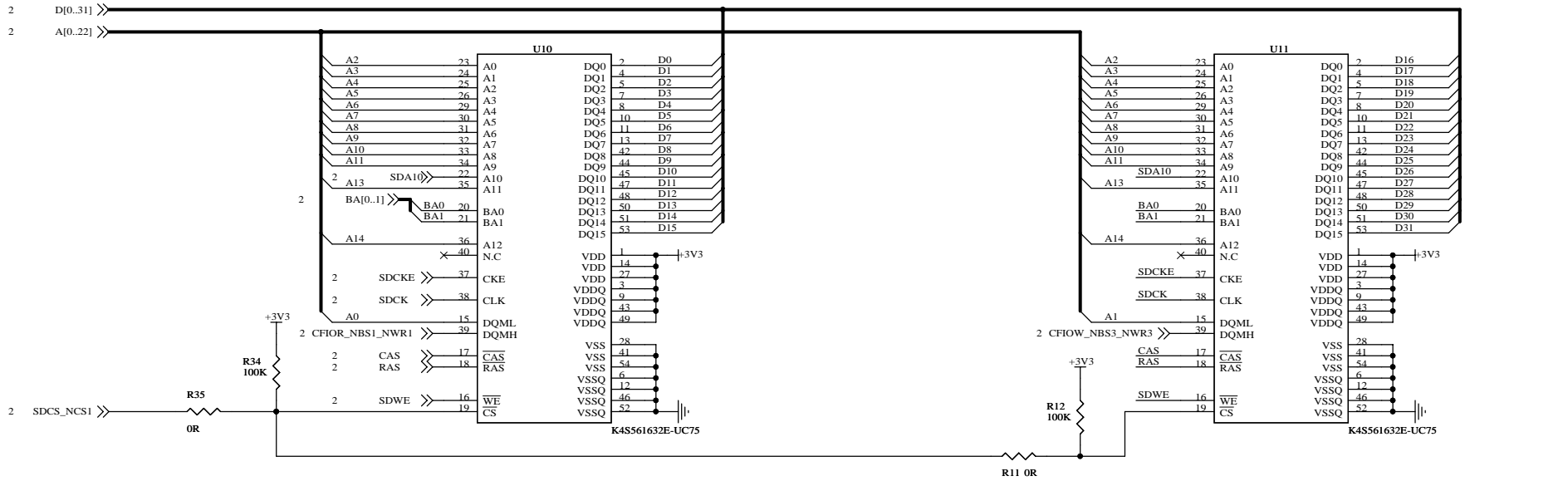




Rev	Date	Revision History	Drawn	Approved
B01	18/07/07	Add serial dataflash, add strap on mosfet & correct ethernet led's	SD	GH
A01	11/05/07	Initial	SD	GH
Scale : N/A		Product : USB-A9260		
Sheet Size : A3		Document Number : SCH-00004-B01		
Folio : 2/5		Title : AT91SAM9260		



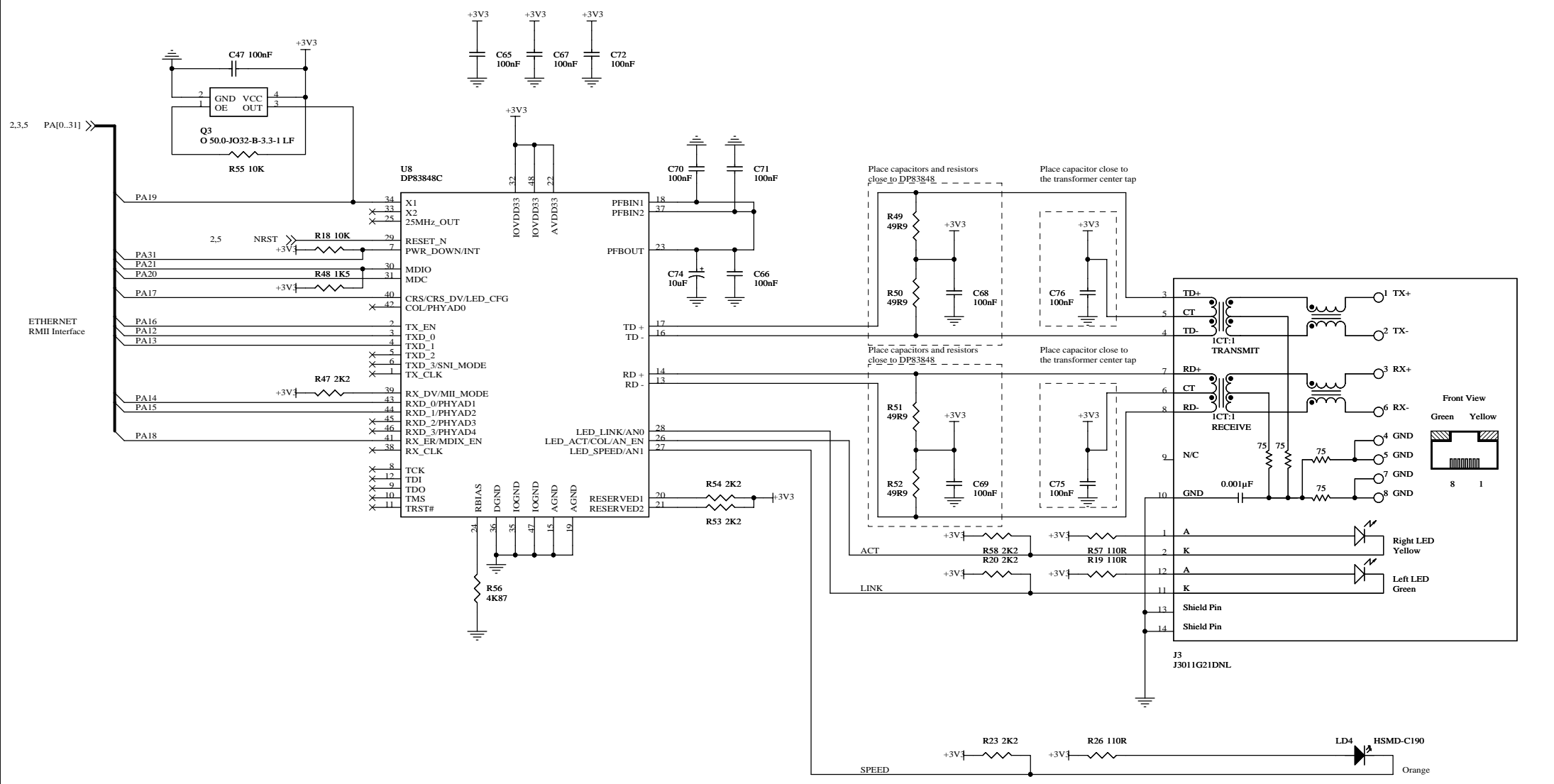
This drawing may not be reproduced without CALAO Systems prior written consent



Rev	Date	Revision History	Drawn	Approved
B01	18/07/07	Add serial dataflash, add strap on mosfet & correct ethernet led's	SD	GH
A01	11/05/07	Initial	SD	GH
Scale :		N/A	Product : USB-A9260	
Sheet Size :		A3	Document Number : SCH-00004-B01	
Folio :		3/5	Title : SDRAM & NAND FLASH	
This drawing may not be reproduced without CALAO Systems prior written consent				



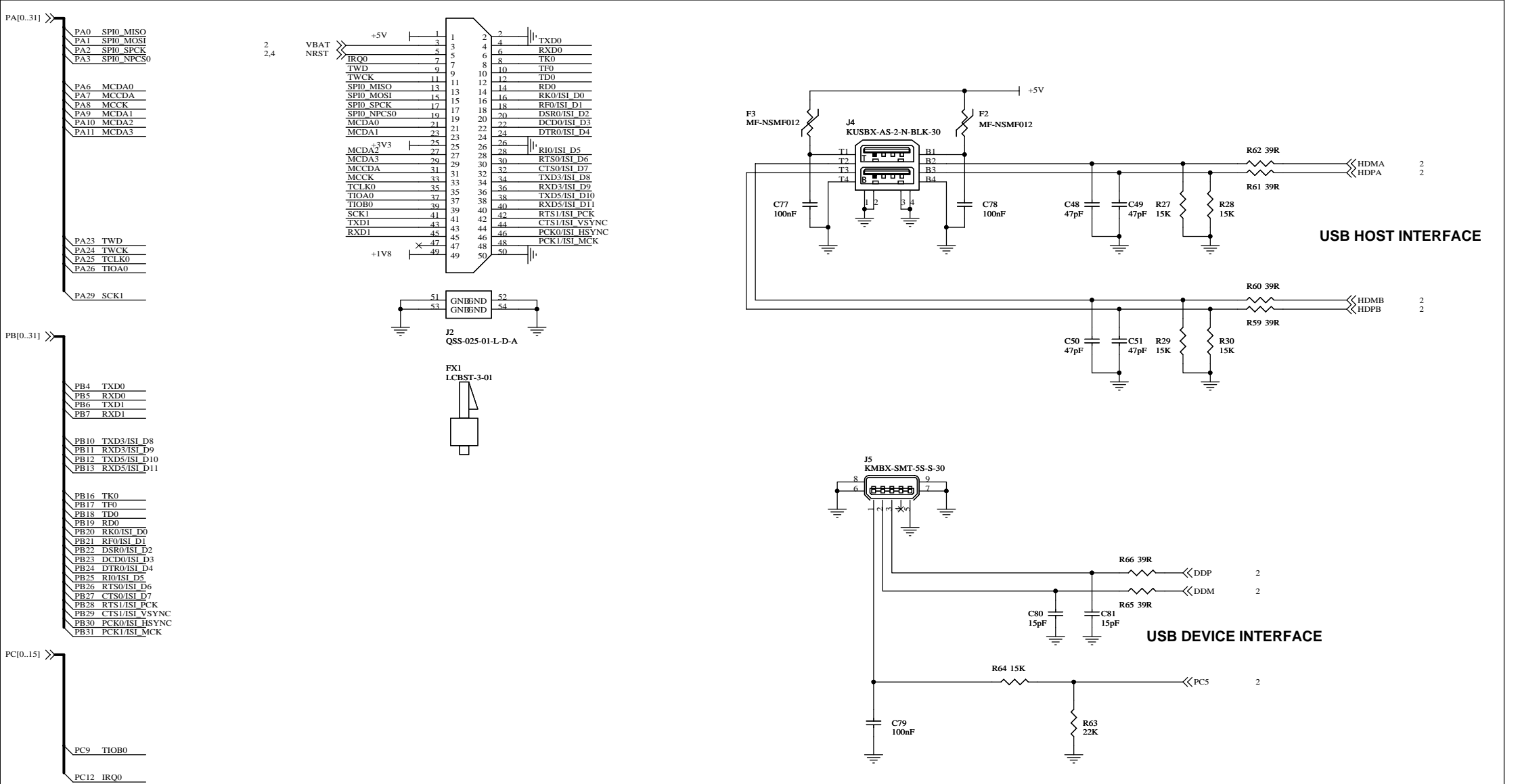
www.calao-systems.com




B01	18/07/07	Add serial dataflash, add strap on mosfet & correct ethernet led's	SD	GH
A01	11/05/07	Initial	SD	GH
Rev	Date	Revision History	Drawn	Approved
Scale :	N/A	Product :	USB-A9260	
Sheet Size :	A3	Document Number :	SCH-00004-B01	
Folio :	4/5	Title :	ETHERNET	



This drawing may not be reproduced without CALAO Systems prior written consent



Rev	Date	Revision History	Drawn	Approved
B01	18/07/07	Add serial dataflash, add strap on mosfet & correct ethernet led's	SD	GH
A01	11/05/07	Initial	SD	GH
Scale : N/A		Product : USB-A9260	 www.calao-systems.com	
Sheet Size : A3		Document Number : SCH-00004-B01		
Folio : 5/5	Title : USB & I/O CONNECTOR			
This drawing may not be reproduced without CALAO Systems prior written consent				