

TNY-A9G20

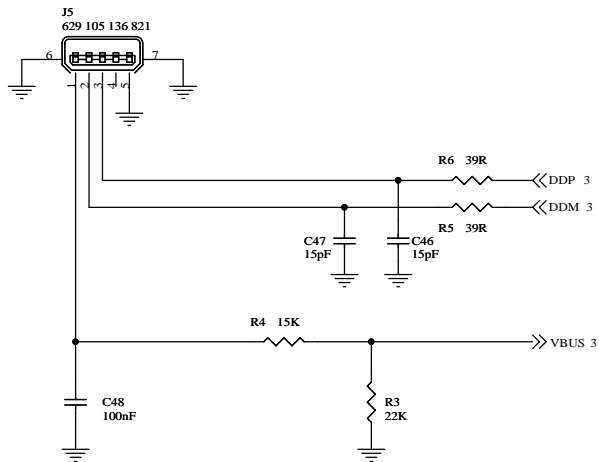
Revision	Date	
A01	01/08/2008	- Initial version

A01	01/08/2008	Initial	GH	
Rev	Date	Revision History	Drawn	Approved
Scale : N/A		Product : TNY-A9G20		
Sheet Size : A3		Document Number : SCH-00040-A01		
Folio : 1/5		Title : HISTORY		
This drawing may not be reproduced without CALAO Systems prior written consent				

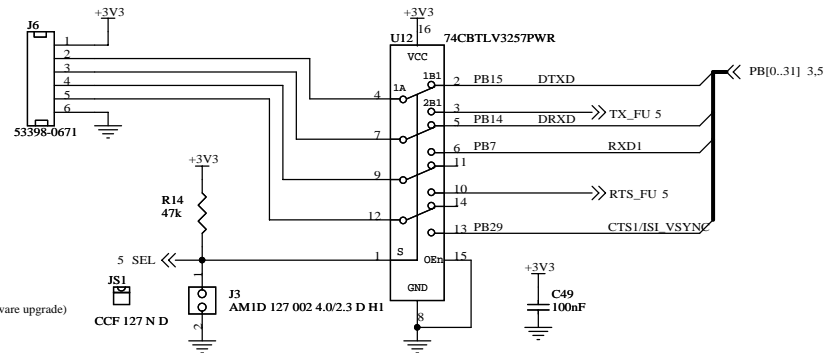
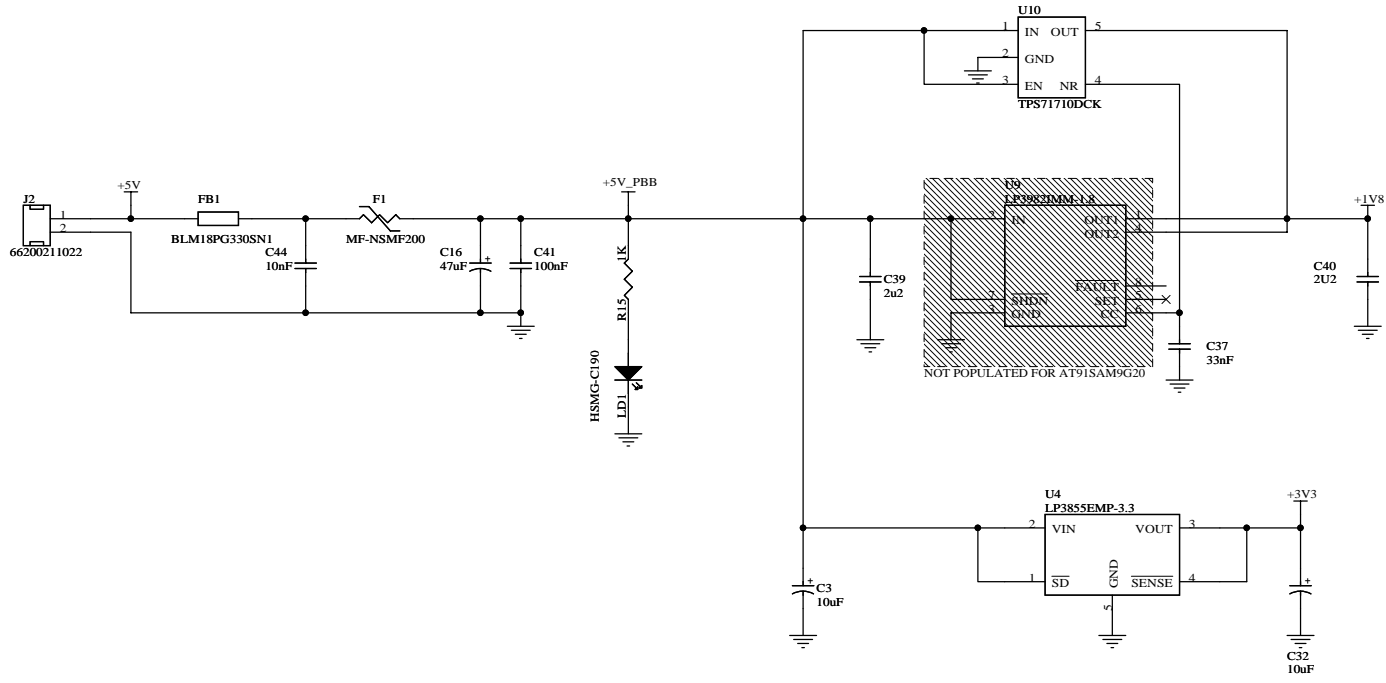


www.calao-systems.com

USB DEVICE INTERFACE



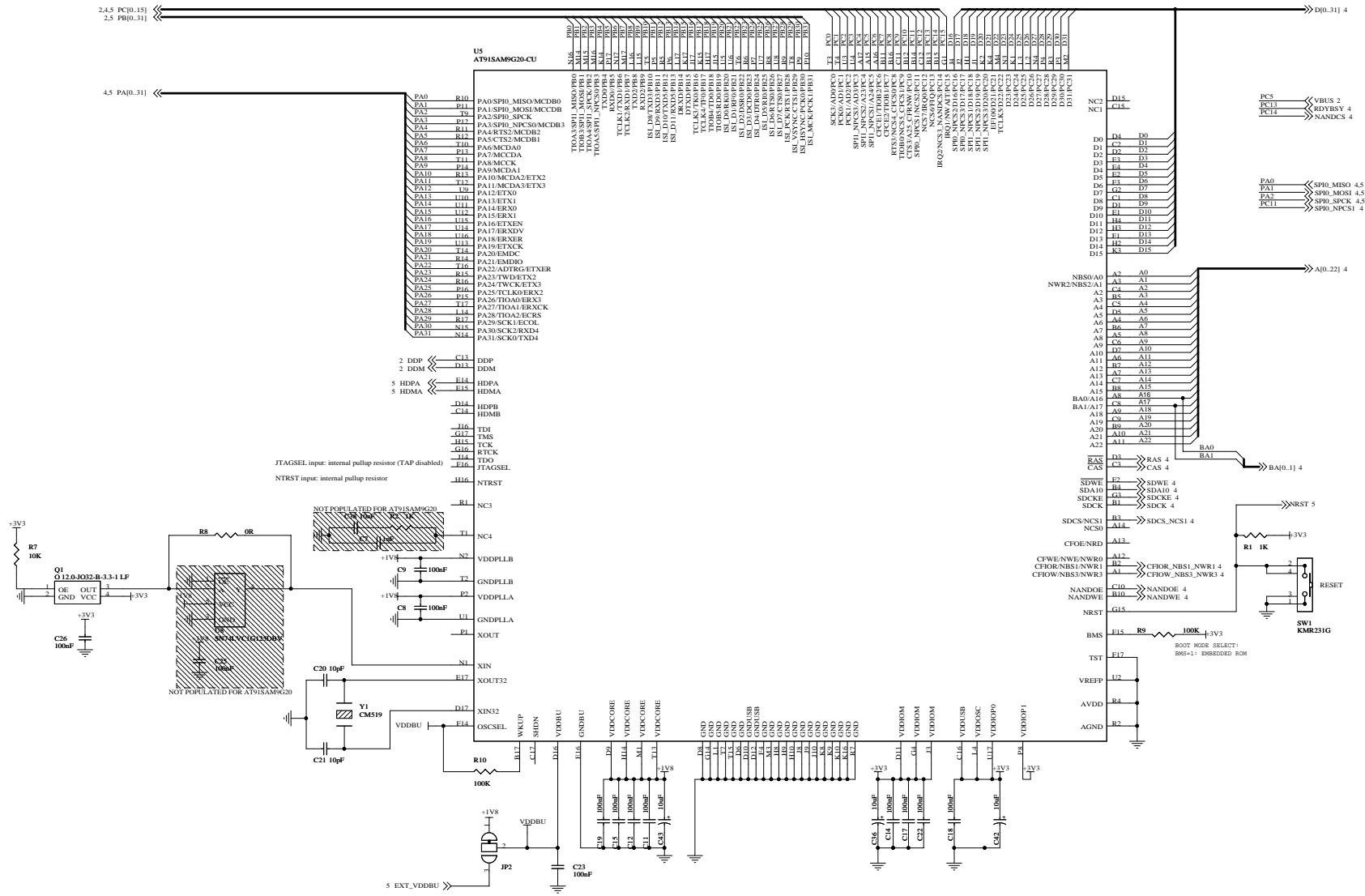
J8: Configuration
 closed: DBGU port available on J11
 opened: COM1 port available on J11 (Ezurio module firmware upgrade)



Rev	Date	Revision History	Drawn	Approved
A01	01/08/2008	Initial	GH	
Scale :	N/A	Product :	TNY-A9G20	
Sheet Size :	A3	Document Number :	SCH-00040-A01	
Folio :	2/5	Title :	VOLTAGE REGULATORS & USB Device	
This drawing may not be reproduced without CALAO Systems prior written consent				




www.calao-systems.com

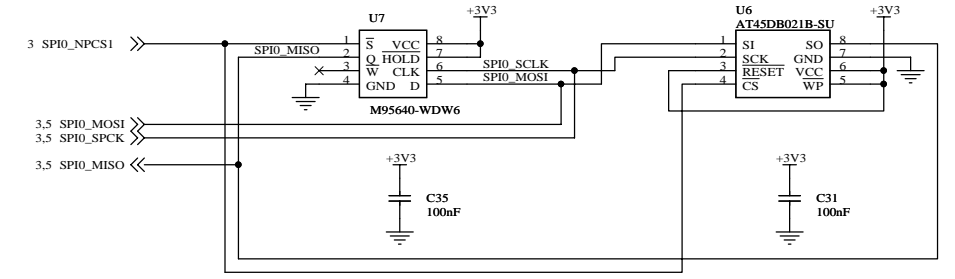
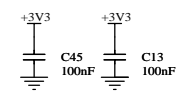
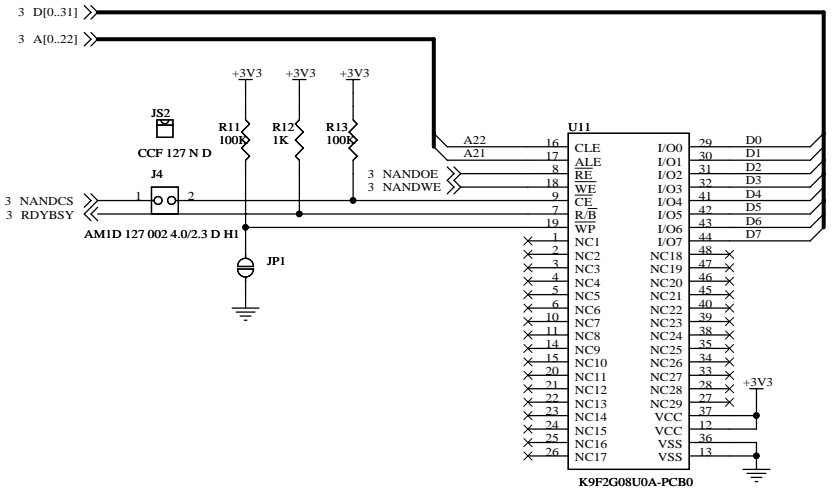
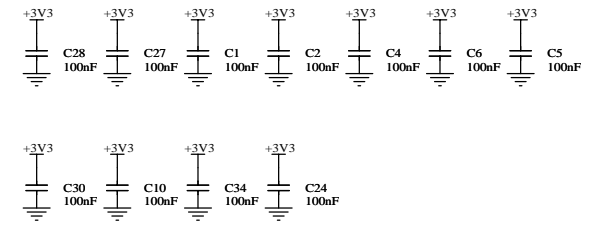
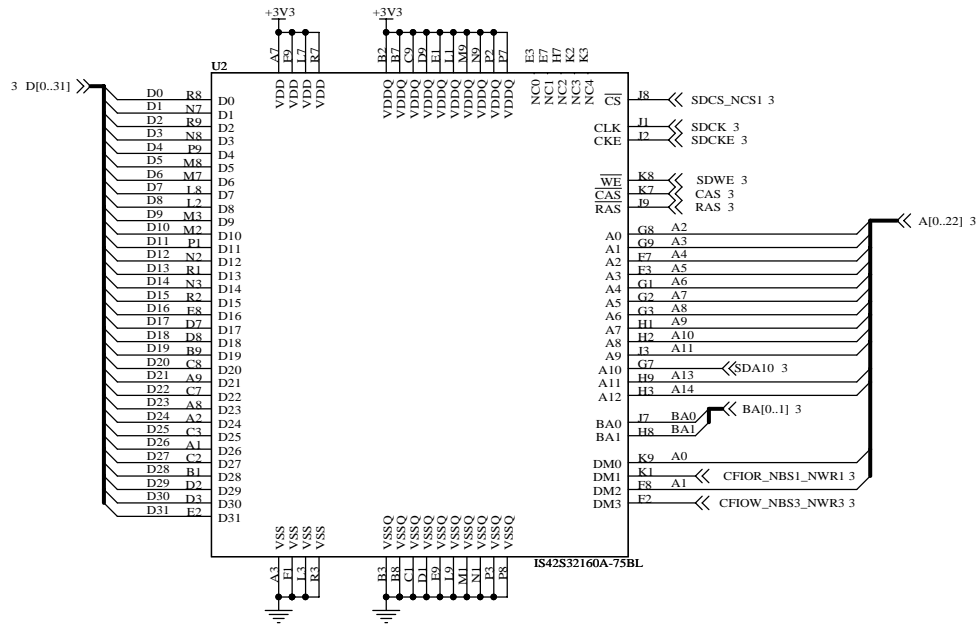


JTAGSEL input: internal pullup resistor (TAP disabled)
 NTRST input: internal pullup resistor

Rev	Date	Revision History	Drawn	Approved
A01	01.08.2008	Initial		GH
Scale :		N/A	Product : TNY-A9G20	
Sheet Size :		A3	Document Number : SCH-00040-A01	
Folio :		2/5	Title : AT91SAM9G20	


www.calao-system.com

This drawing may not be reproduced without CALAO Systems prior written consent

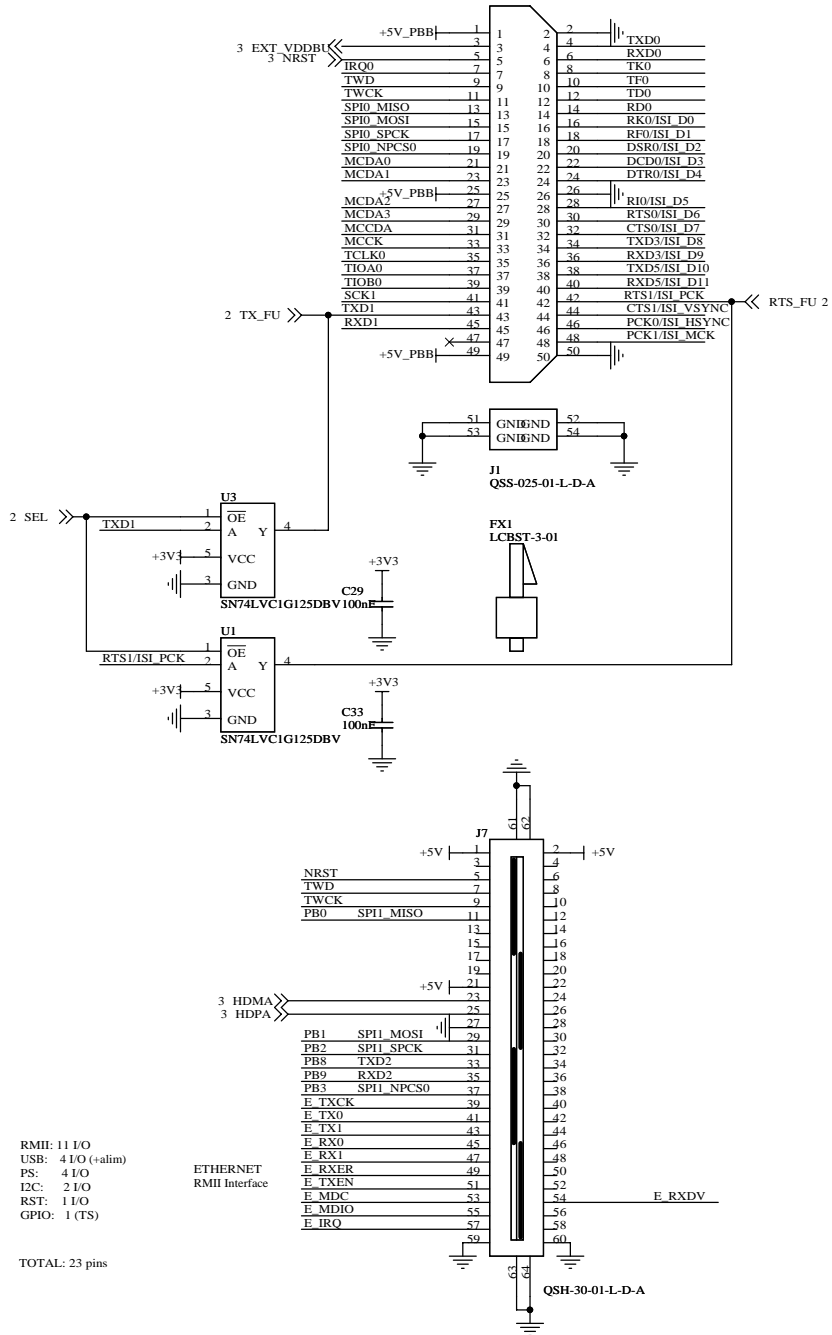


Rev	Date	Revision History	Drawn	Approved
A01	01/08/2008	Initial		GH
Scale :	N/A	Product :	TNY-A9G20	
Sheet Size :	A3	Document Number :	SCH-00040-A01	
Folio :	3/5	Title :	SDRAM, NAND FLASH & DATAFLASH	
This drawing may not be reproduced without CALAO Systems prior written consent				



www.calao-systems.com

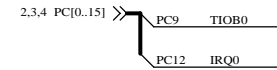
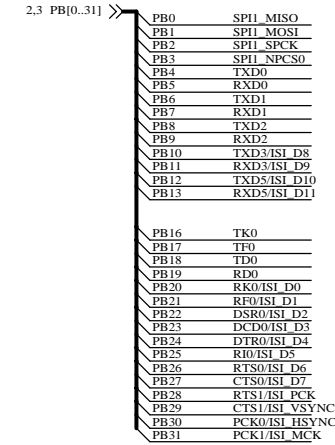
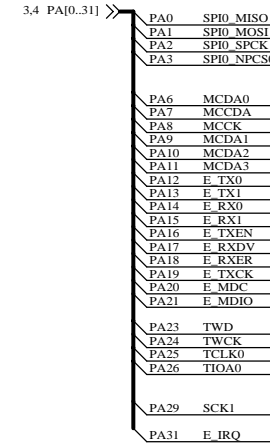
Note: ONLY +5V is wired to the QSS-025-01-L-D-A




RMII: 11 I/O
 USB: 4 I/O (+alim)
 PS: 4 I/O
 I2C: 2 I/O
 RST: 1 I/O
 GPIO: 1 (TS)

ETHERNET
 RMII Interface

TOTAL: 23 pins



Rev	Date	Revision History	Drawn	Approved
A01	01/08/2008	Initial	GH	
Scale : N/A		Product : TNY-A92G20	 www.calao-systems.com	
Sheet Size : A3		Document Number : SCH-00040-A01		
Folio : 5/5	Title : I/O CONNECTORS			
This drawing may not be reproduced without CALAO Systems prior written consent				