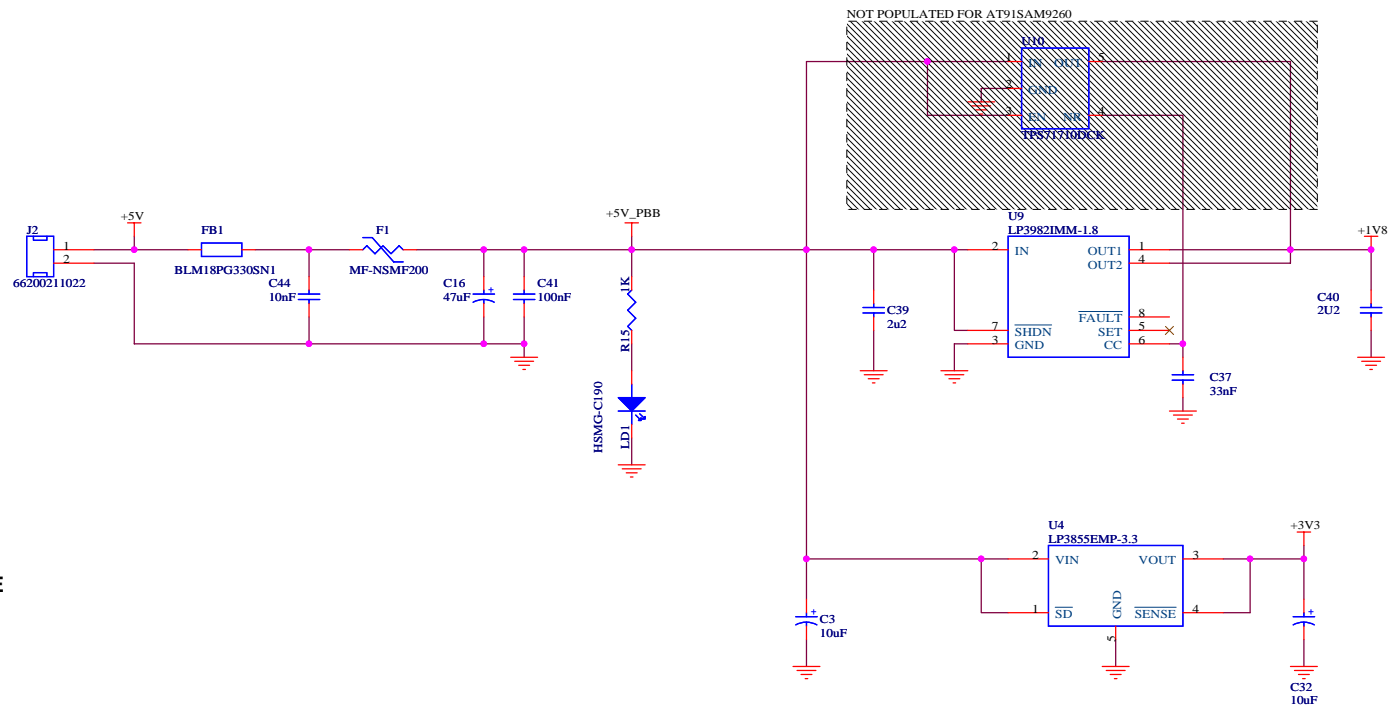


TNY-A9260

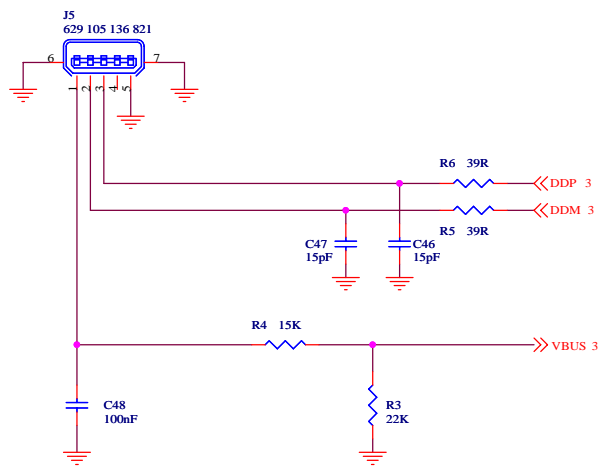
Revision	Date	
A01	01/08/2008	- Initial version

A01	01/08/2008	Initial	GH	
Rev	Date	Revision History	Drawn	Approved
Scale : N/A		Product : TNY-A9260		
Sheet Size : A3		Document Number : SCH-00039-A01		
Folio : 1/5		Title : HISTORY		
This drawing may not be reproduced without CALAO Systems prior written consent				

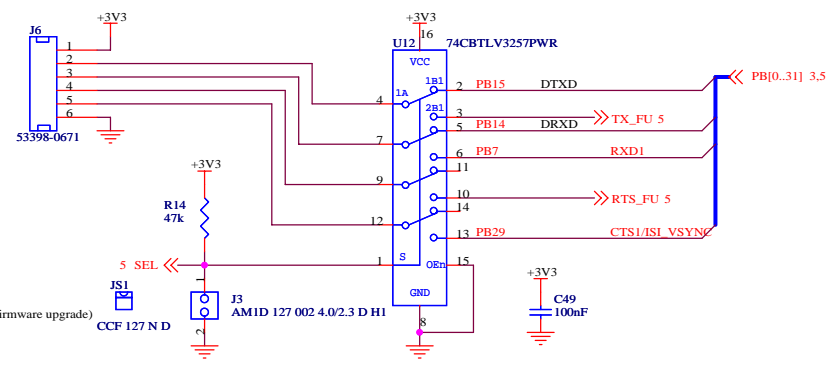




USB DEVICE INTERFACE

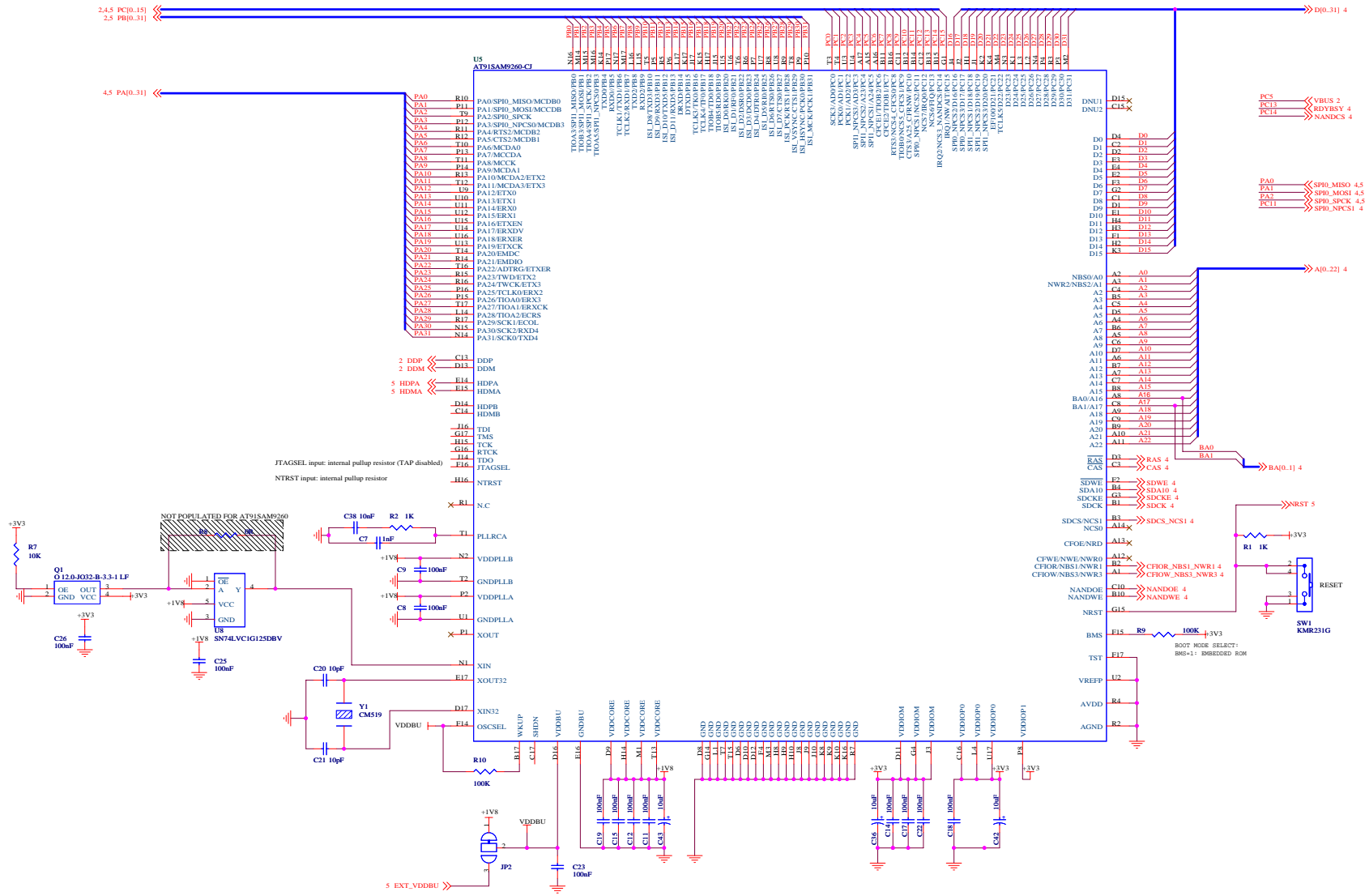


J8: Configuration
 closed: DBGU port available on J11
 opened: COM1 port available on J11 (Ezurio module firmware upgrade)



Rev	Date	Revision History	Drawn	Approved
A01	01/08/2008	Initial	GH	
Scale :	N/A	Product :	TNY-A9260	
Sheet Size :	A3	Document Number :	SCH-00039-A01	
Folio :	2/5	Title :	VOLTAGE REGULATORS & USB Device	
This drawing may not be reproduced without CALAO Systems prior written consent				






JTAGSEL input: internal pullup resistor (TAP disabled)
 NTRST input: internal pullup resistor

NOT POPULATED FOR AT91SAM9260

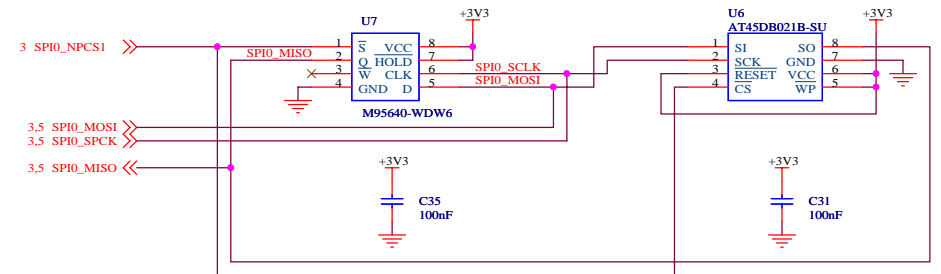
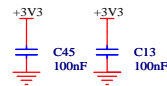
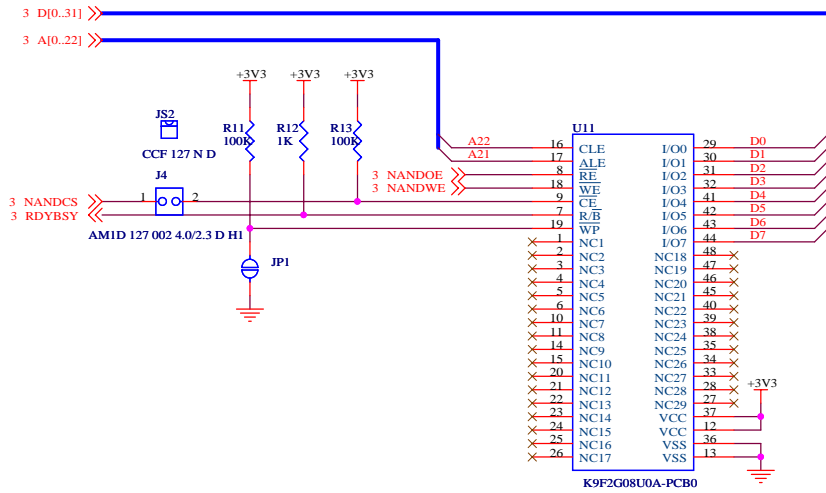
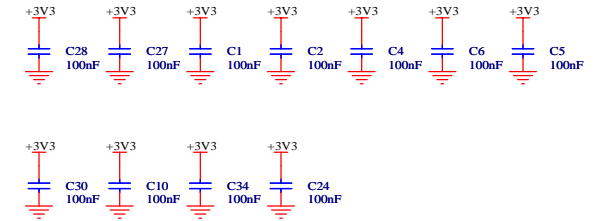
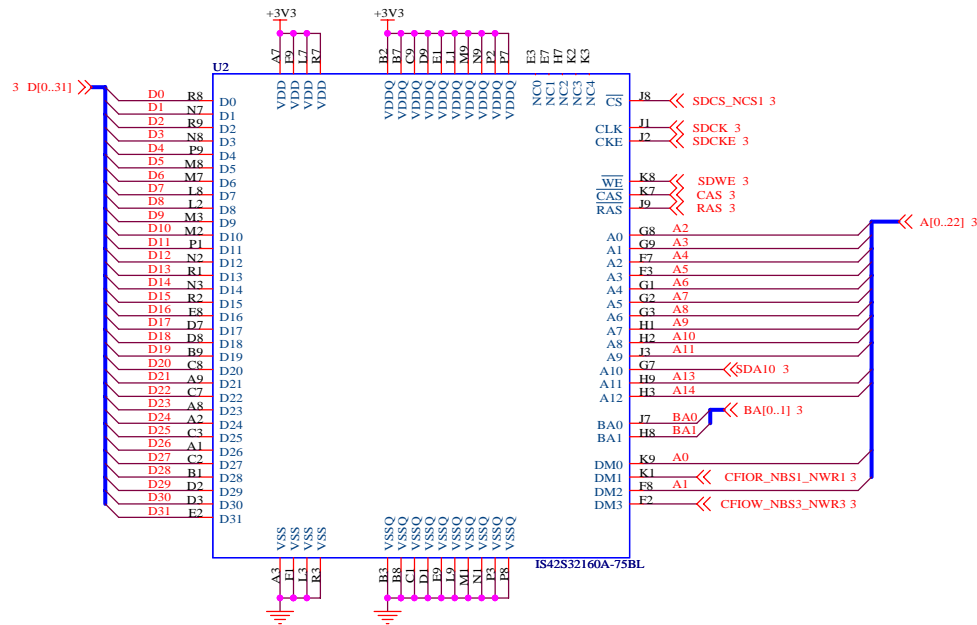
5 EXT_VDDBU

Rev	Date	Revision History	Drawn	Approved
A01	01/08/2008	Initial		GH
Scale:	N/A	Product:	TNY-A9260	
Sheet Size:	A3	Document Number:	SCH-00039-A01	
Folio:	2/5	Title:	AT91SAM9260	

This drawing may not be reproduced without CALAO Systems prior written consent



www.calao-systems.com

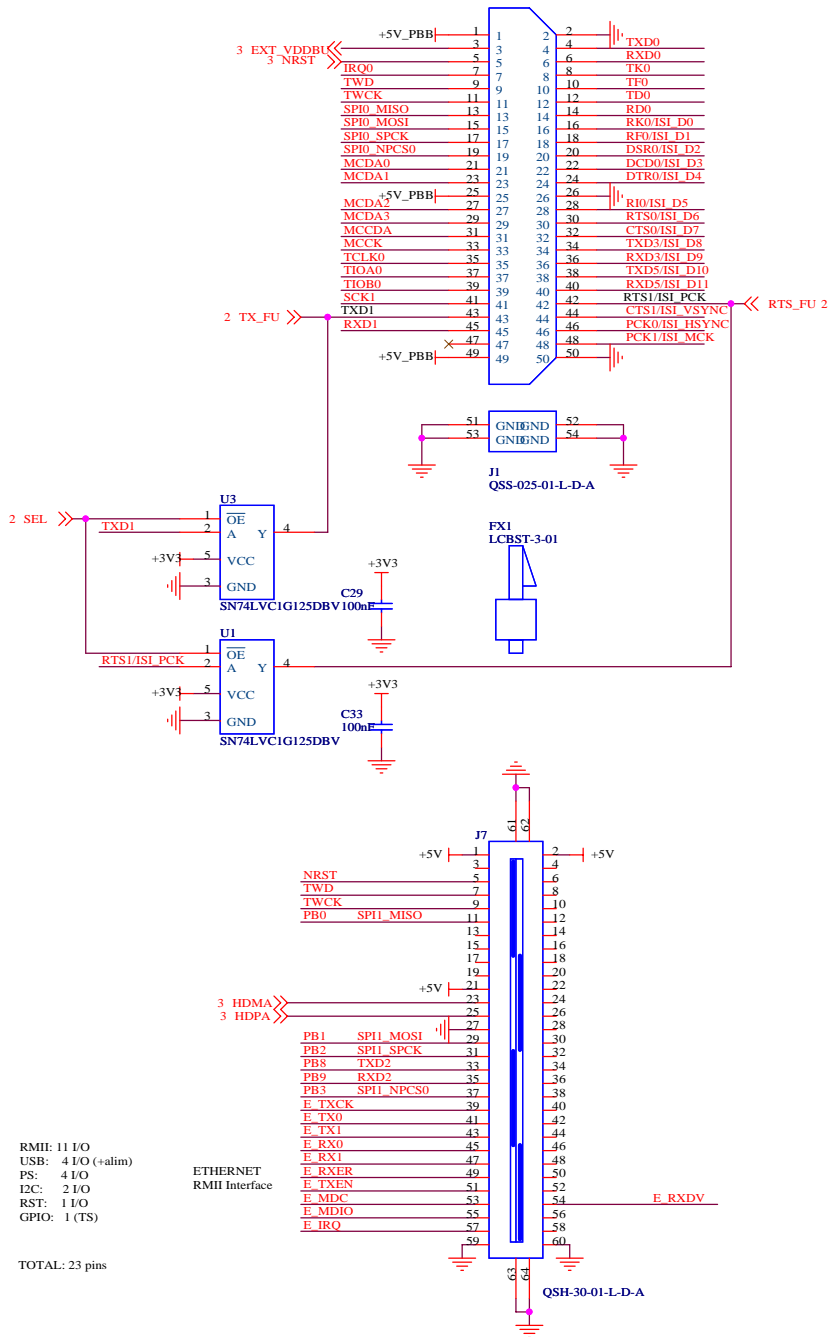


Rev	Date	Revision History	Drawn	Approved
A01	01/08/2008	Initial	GH	
Scale :	N/A	Product :	TNY-A9260	
Sheet Size :	A3	Document Number :	SCH-00039-A01	
Folio :	3/5	Title :	SDRAM, NAND FLASH & DATAFLASH	
This drawing may not be reproduced without CALAO Systems prior written consent				



www.calao-systems.com

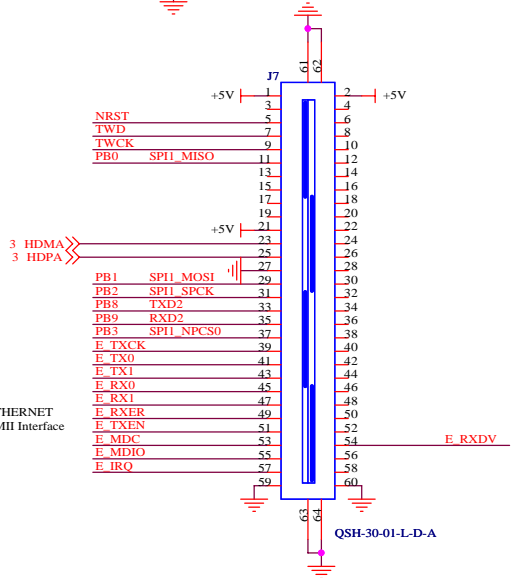
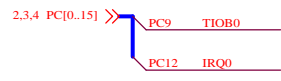
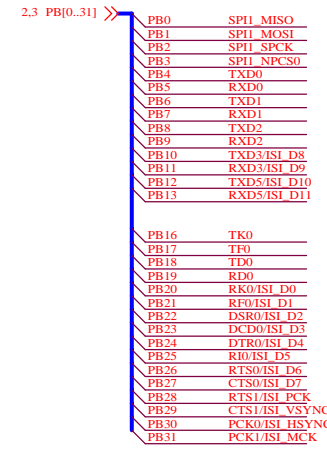
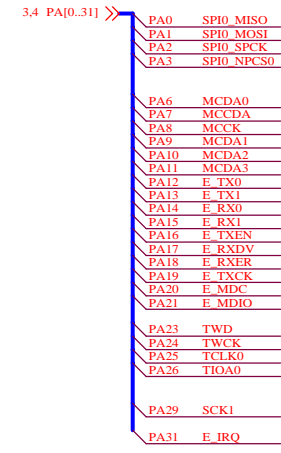
Note: ONLY +5V is wired to the QSS-025-01-L-D-A



RMII: 11 I/O
 USB: 4 I/O (+alim)
 PS: 4 I/O
 I2C: 2 I/O
 RST: 1 I/O
 GPIO: 1 (TS)

ETHERNET
 RMII Interface

TOTAL: 23 pins



Rev	Date	Revision History	Drawn	Approved
A01	01/08/2008	Initial	GH	
Scale :	N/A	Product :	TNY-A9260	
Sheet Size :	A3	Document Number :	SCH-00039-A01	
Folio :	5/5	Title :	I/O CONNECTORS	
This drawing may not be reproduced without CALAO Systems prior written consent				



www.calao-systems.com