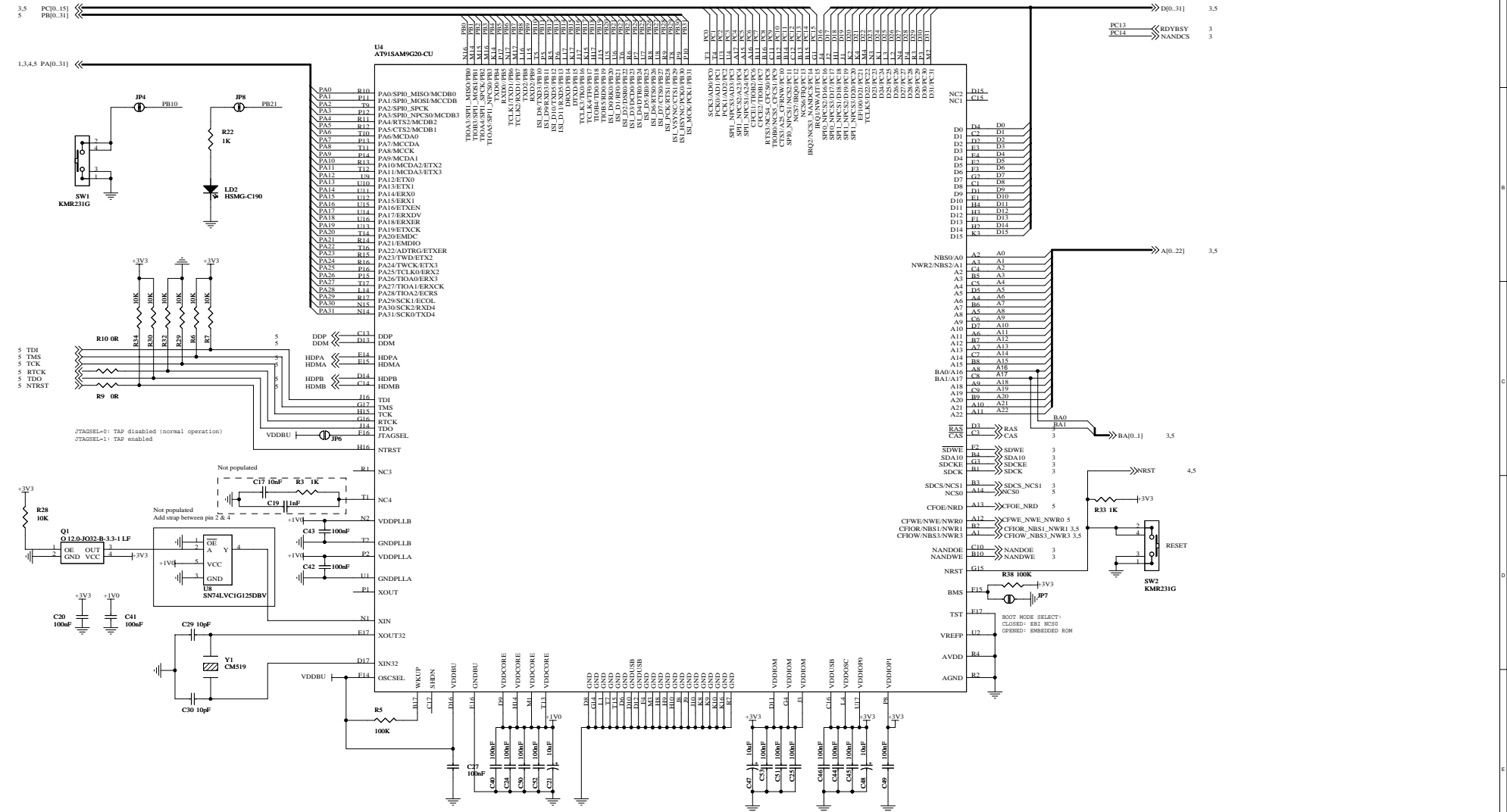


A01	29/08/08	Initial	SD	GH
Rev	Date	Revision History	Drawn	Approved
Scale :	N/A	Product :	QIL-A9G20	
Sheet Size :	A3	Document Number :	SCH-00012-A01	
Folio :	1/5	Title :	Power / RTC	
This drawing may not be reproduced without CALAO Systems prior written consent				

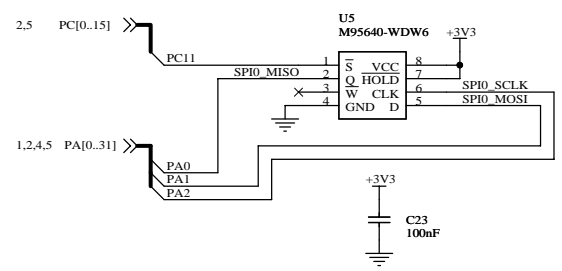
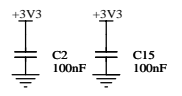
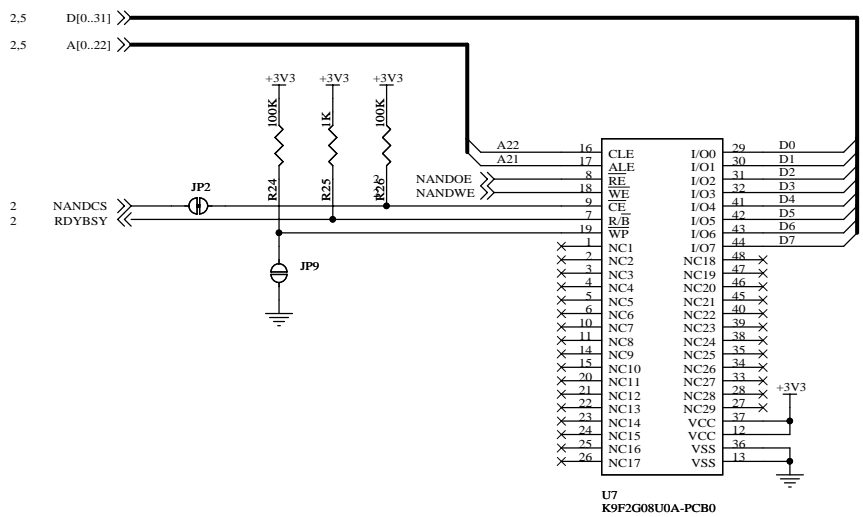
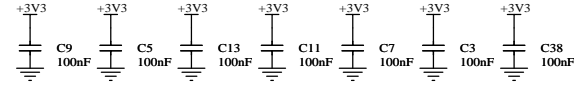
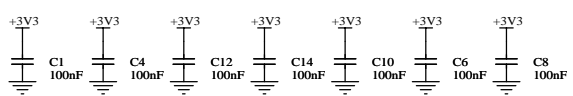
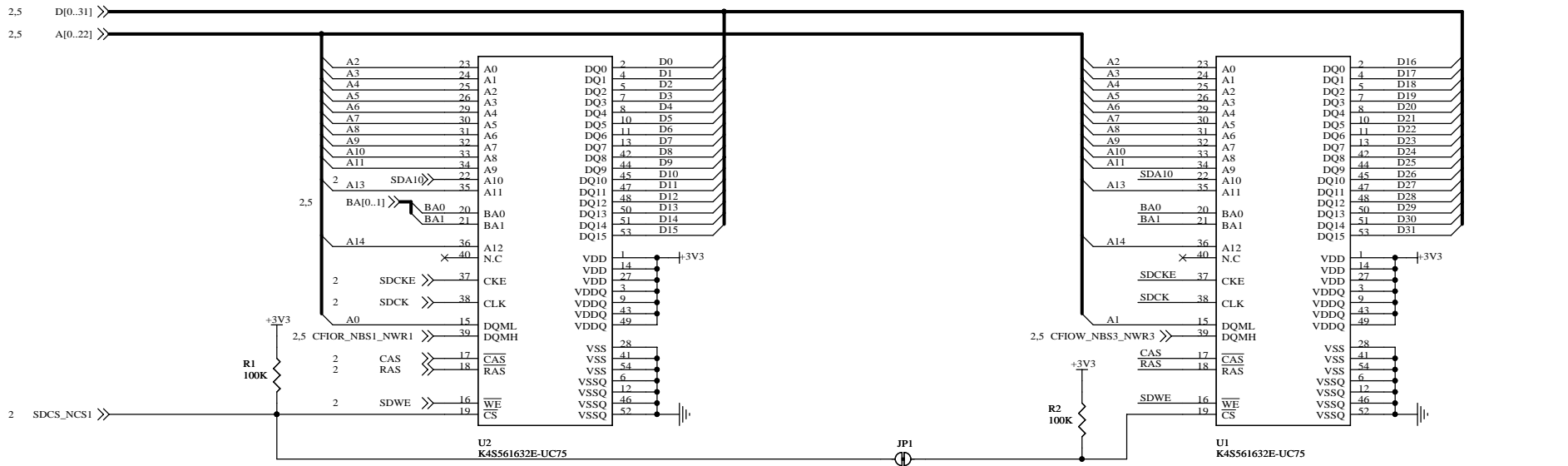





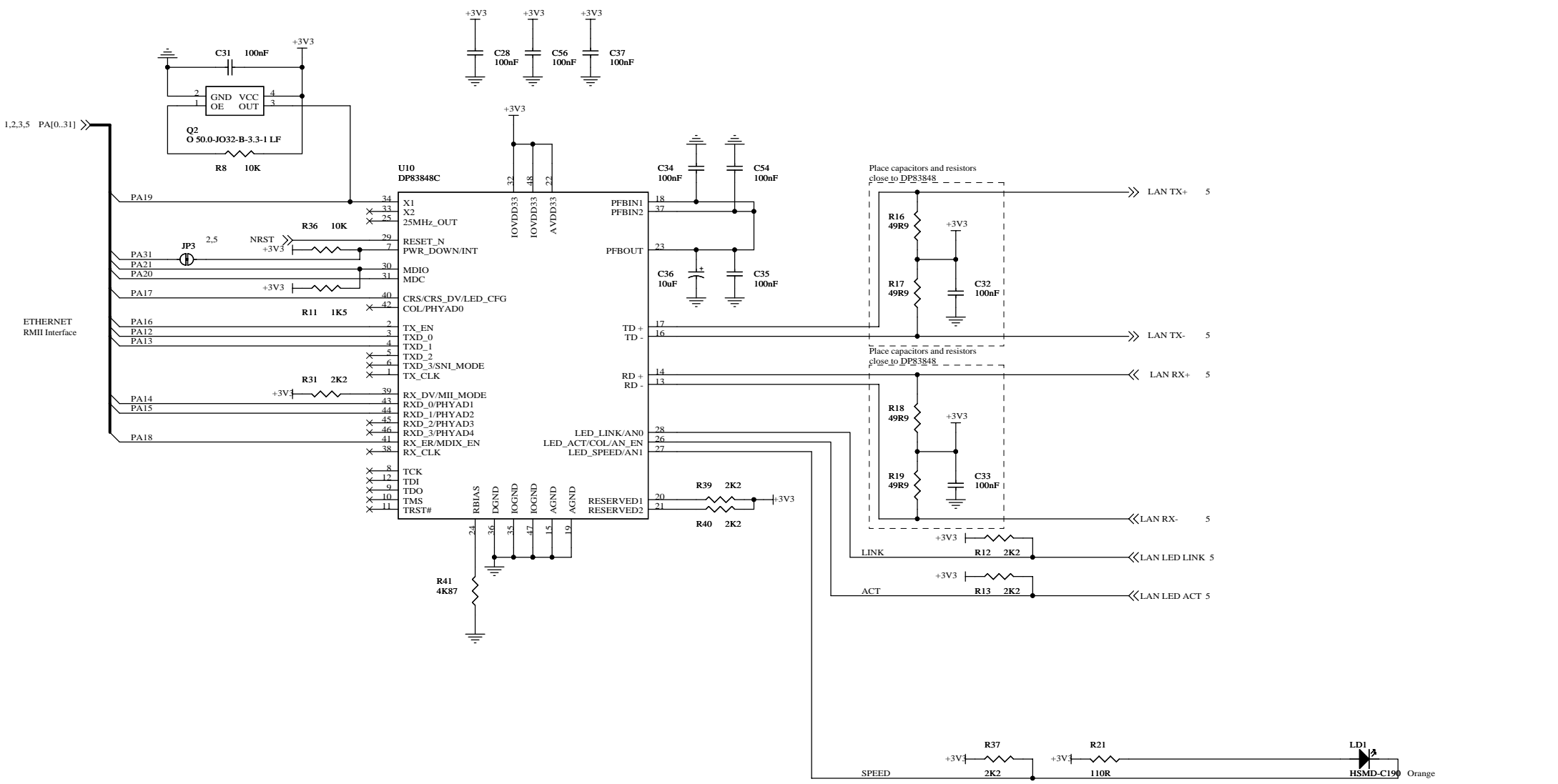
AD1	29/08/08	Initial	SD	GH
Rev	Date	Revision History	Drawn	Approved
Scale :	N/A	Product :	QIL-A9G20	
Sheet Size :	A2	Document Number :	SCH-00012-A01	
Folio :	2/5	Title :	AT91SAM9G20	



This drawing may not be reproduced without CALAO Systems prior written consent

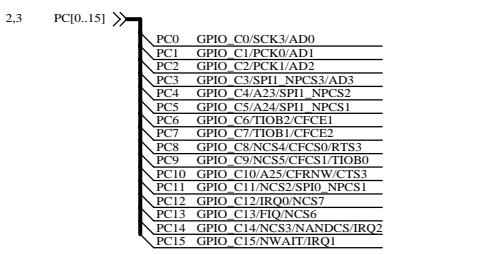
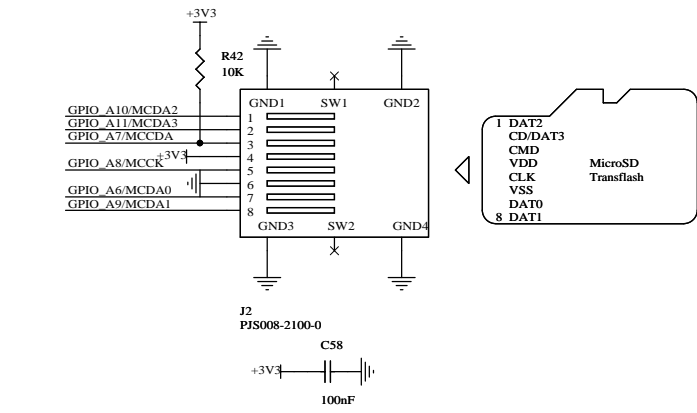
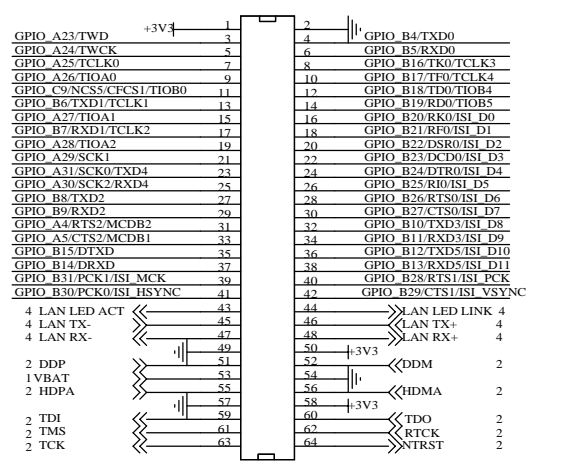
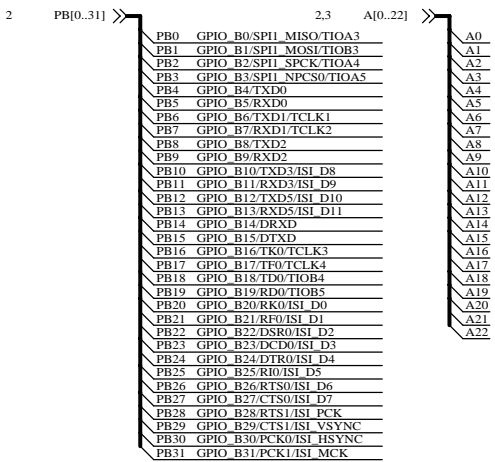
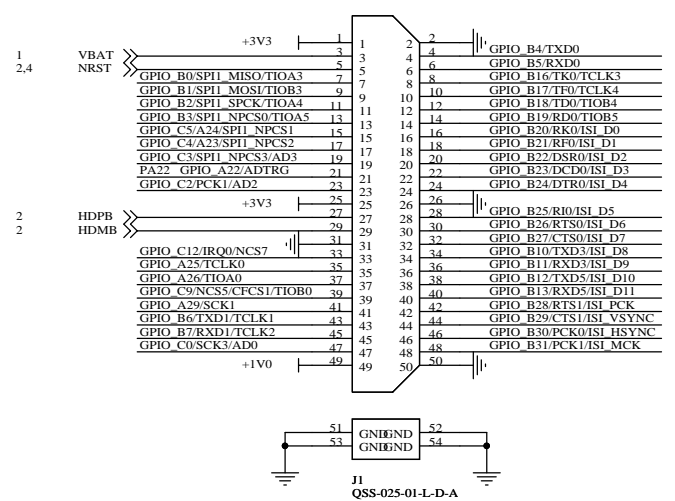
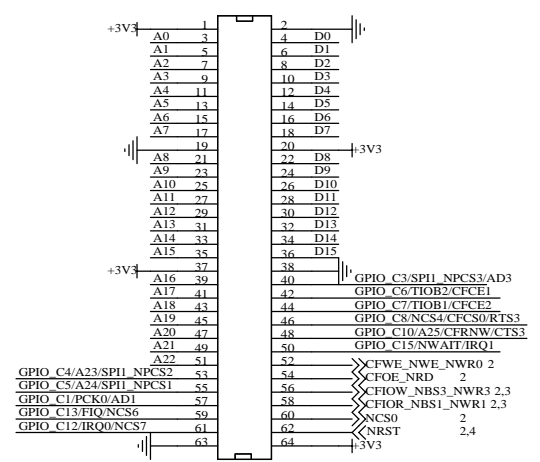
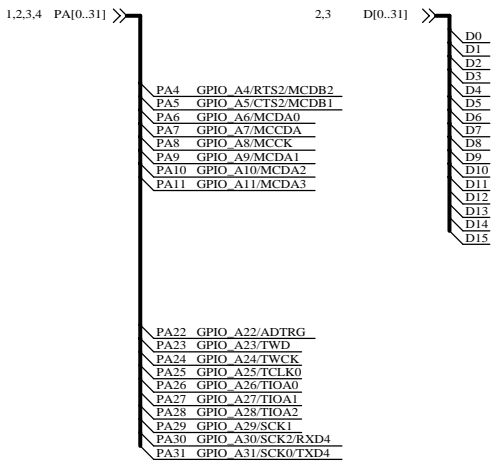


Rev	Date	Revision History	Drawn	Approved
A01	29/08/08	Initial	SD	GH
Scale : N/A		Product : QIL-A9G20	 www.calao-systems.com	
Sheet Size : A3		Document Number : SCH-00012-A01		
Folio : 3/5		Title : SDRAM & NAND FLASH		
This drawing may not be reproduced without CALAO Systems prior written consent				



A01	29/08/08	Initial	SD	GH
Rev	Date	Revision History	Drawn	Approved
Scale :	N/A	Product :	QIL-A9G20	
Sheet Size :	A3	Document Number :	SCH-00012-A01	
Folio :	4/5	Title :	ETHERNET	
This drawing may not be reproduced without CALAO Systems prior written consent				





A01	29/08/08	Initial	SD	GH
Rev	Date	Revision History	Drawn	Approved
Scale :	N/A	Product :	QIL-A9G20	
Sheet Size :	A3	Document Number :	SCH-00012-A01	
Folio :	5/5	Title :	MicroSD & I/O Connectors	
This drawing may not be reproduced without CALAO Systems prior written consent				

