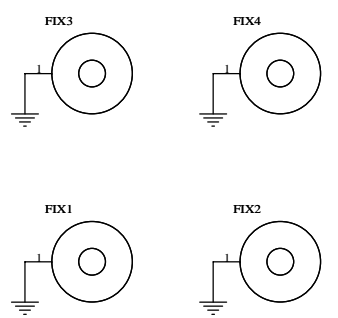
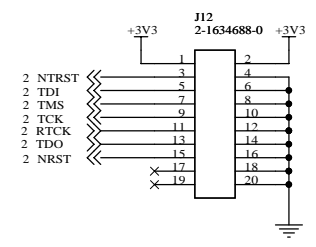
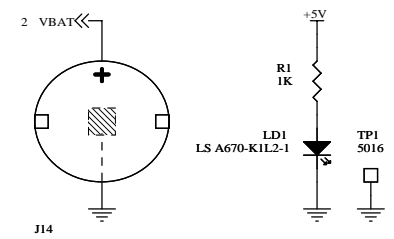


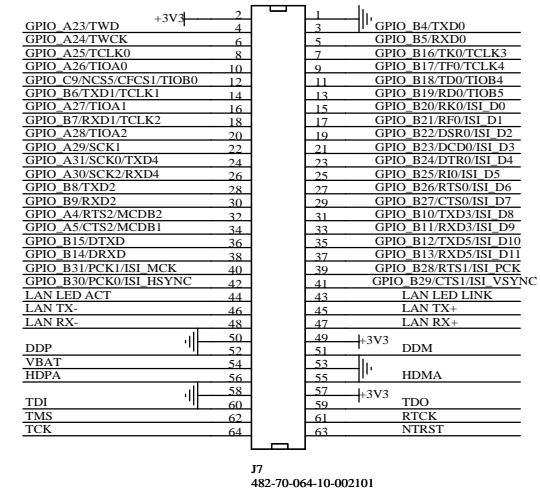
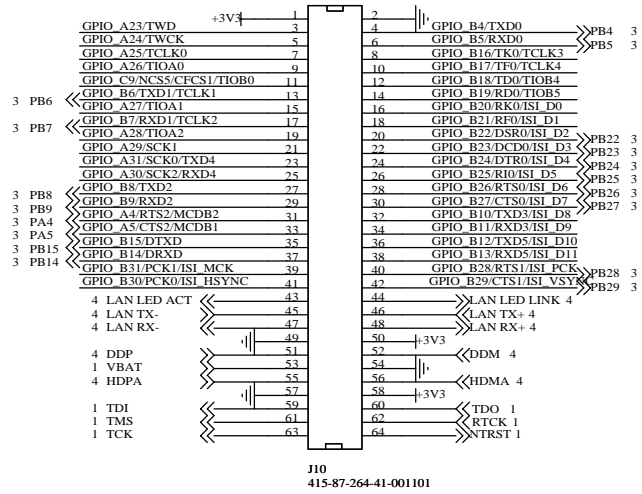
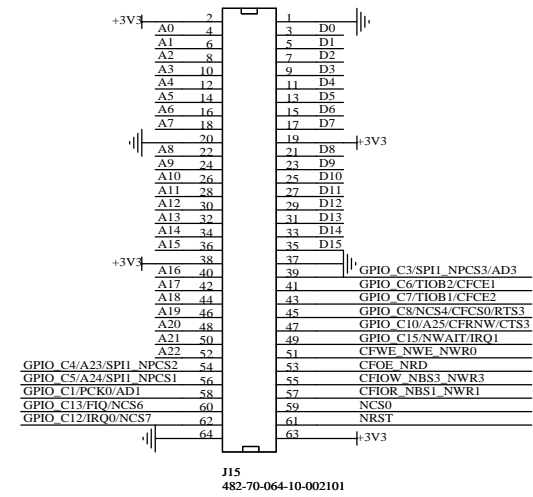
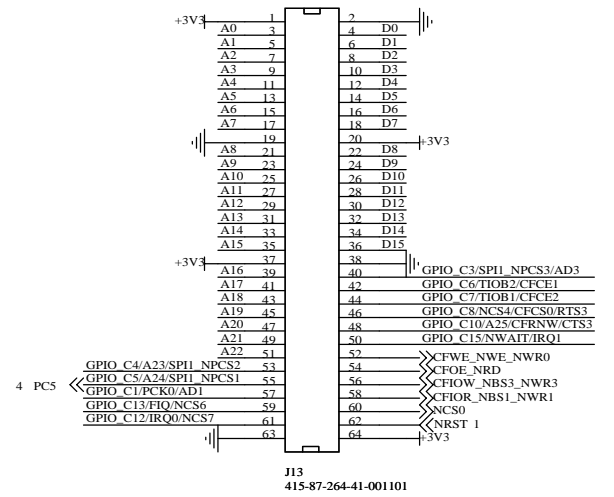
10 SQUARE CM COPPER AREA FOR HEAT SINKING
WITH NO SOLDER MASK

J1 CTB3051/2



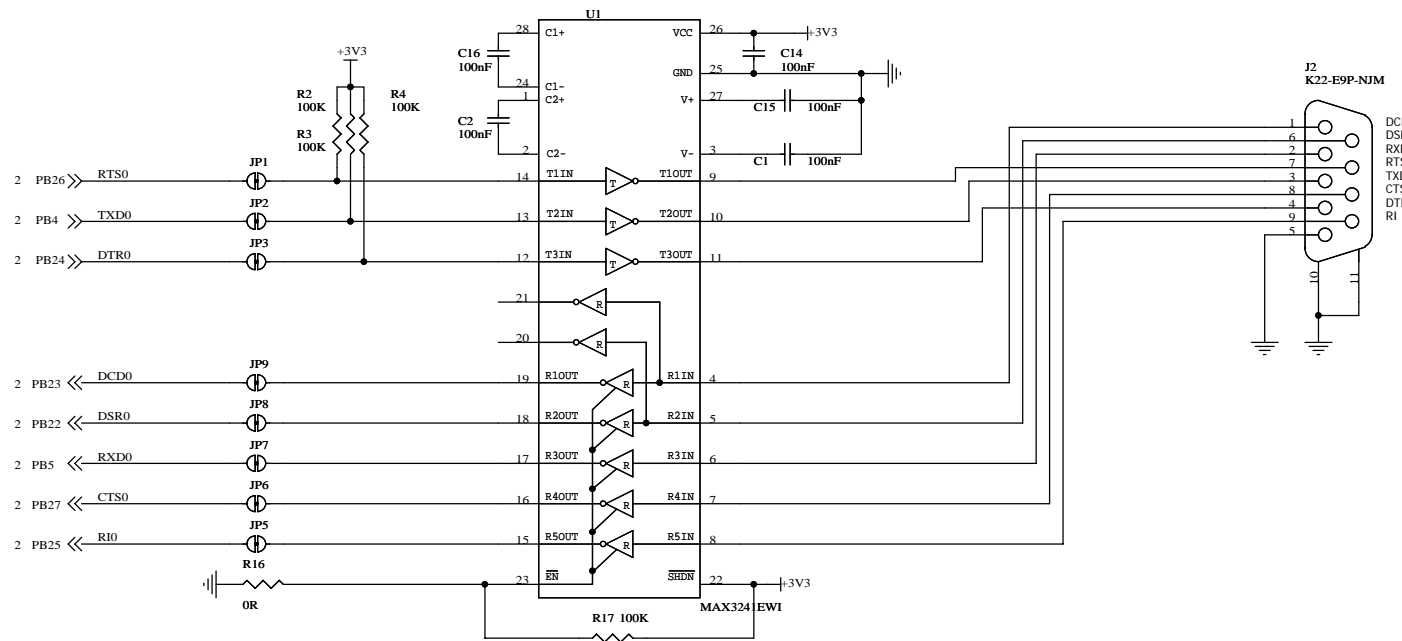
A01	18/06/07	Initial	SD	GH
Rev	Date	Revision History	Drawn	Approved
Scale :	N/A	Product :	MB-QIL-A9260	
Sheet Size :	A3	Document Number :	SCH-00008-A01	
Folio :	1 / 4	Title :	POWER SUPPLY	
This drawing may not be reproduced without CALAO Systems prior written consent				



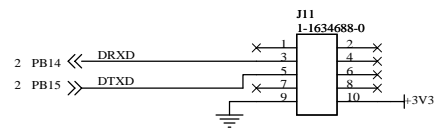


A01	18/06/07	Initial	SD	GH
Rev	Date	Revision History	Drawn	Approved
Scale :	N/A	Product :	MB-QIL-A9260	
Sheet Size :	A3	Document Number :	SCH-00008-A01	
Folio :	2 / 4	Title :	QIL-A9260 SOCKET & I/O CONNECTORS	
This drawing may not be reproduced without CALAO Systems prior written consent				

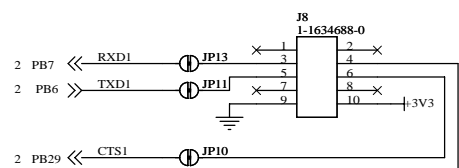




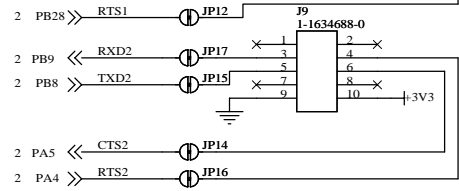
RS232 COM PORT 0



DEBUG PORT



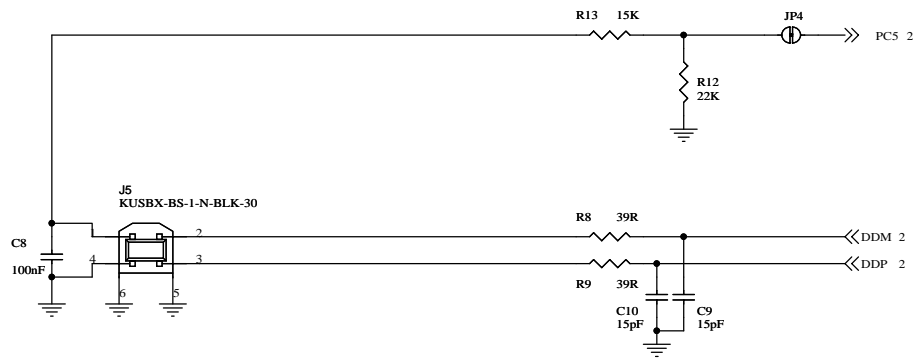
UART1



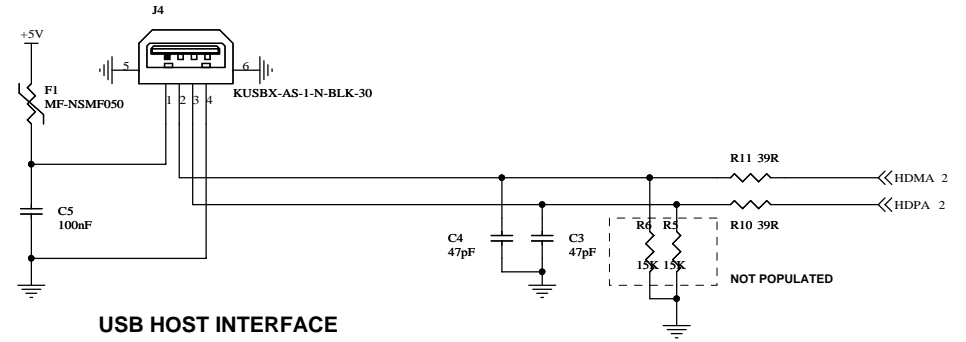
UART2

A01	18/06/07	Initial	SD	GH
Rev	Date	Revision History	Drawn	Approved
Scale :	N/A	Product :	MB-QIL-A9260	
Sheet Size :	A3	Document Number :	SCH-00008-A01	
Folio :	3 / 4	Title :	SERIAL PORT	
This drawing may not be reproduced without CALAO Systems prior written consent				

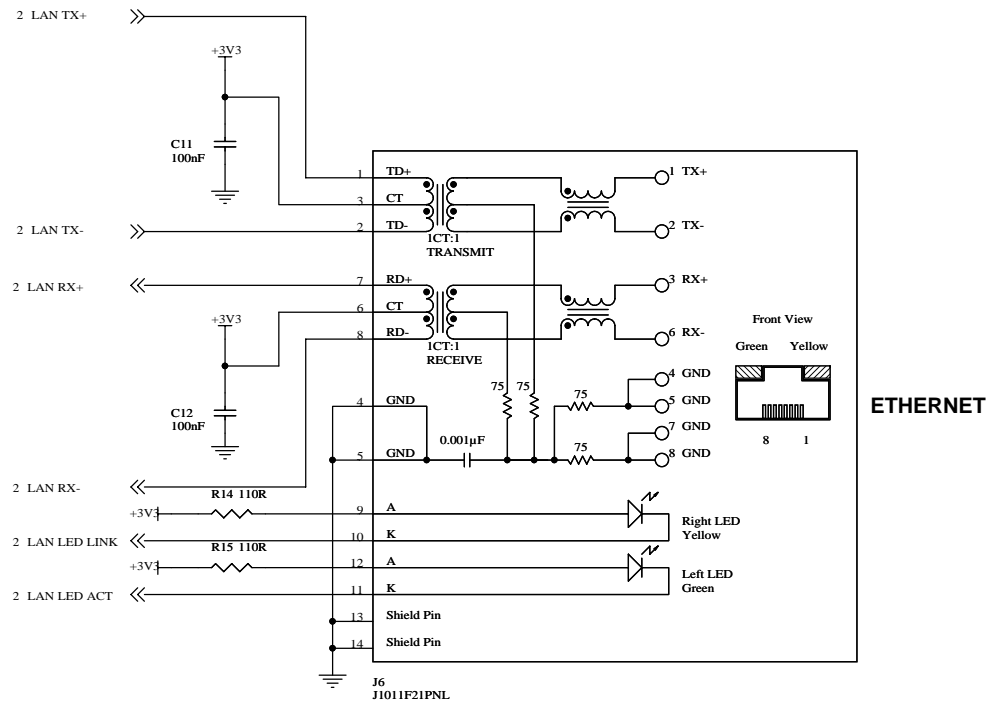




USB DEVICE INTERFACE



USB HOST INTERFACE



ETHERNET

A01	18/06/07	Initial	SD	GH
Rev	Date	Revision History	Drawn	Approved
Scale :	N/A	Product :	MB-QIL-A9260	
Sheet Size :	A3	Document Number :	SCH-00008-A01	
Folio :	4 / 4	Title :	ETHERNET / USB	
This drawing may not be reproduced without CALAO Systems prior written consent				

