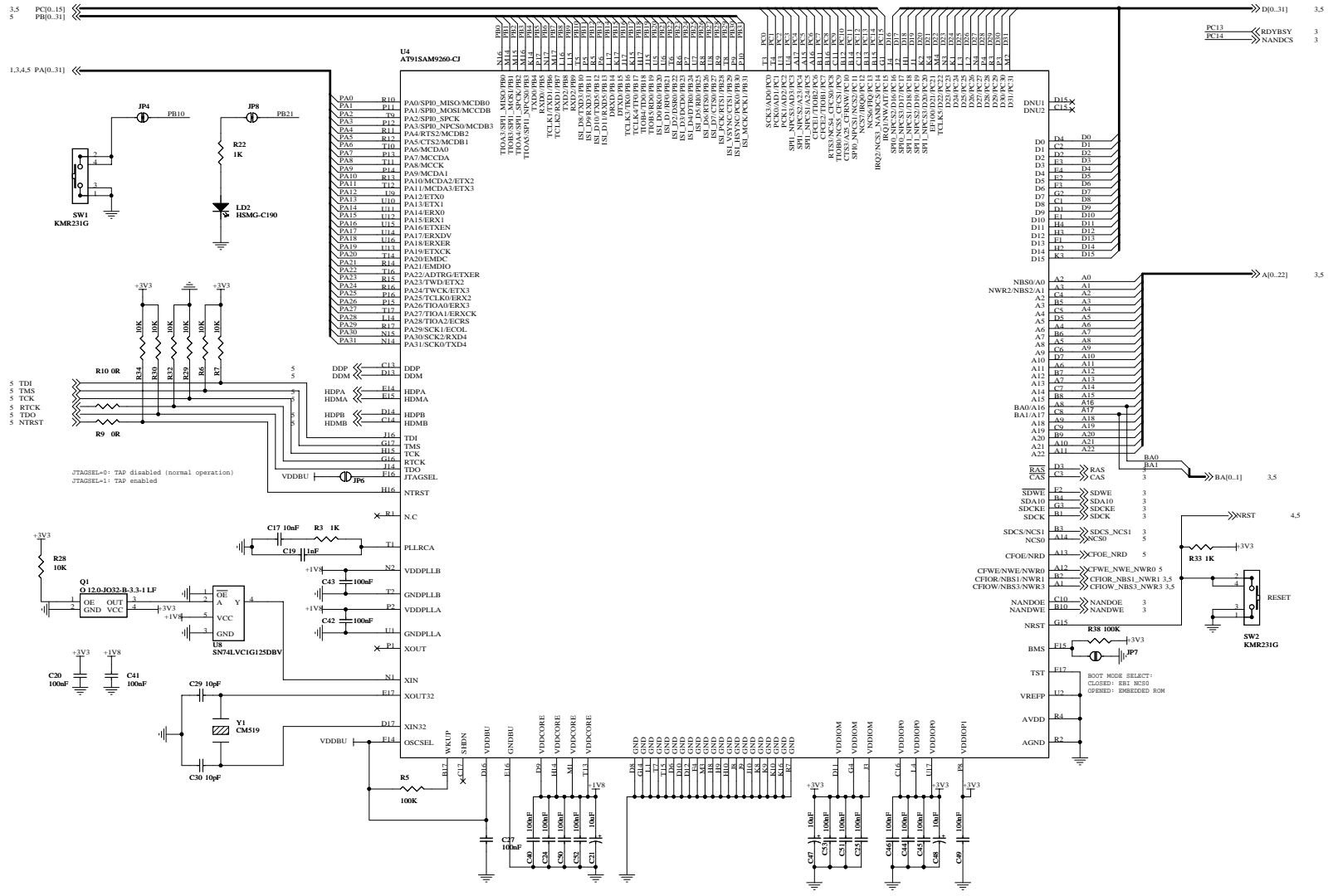


Rev	Date	Revision History	Drawn	Approved
A01	04/06/07	Initial	SD	GH
Scale :	N/A	Product :	QIL-A9260	
Sheet Size :	A3	Document Number :	SCH-00006-A01	
Folio :	1/5	Title :	Power / RTC	
This drawing may not be reproduced without CALAO Systems prior written consent				

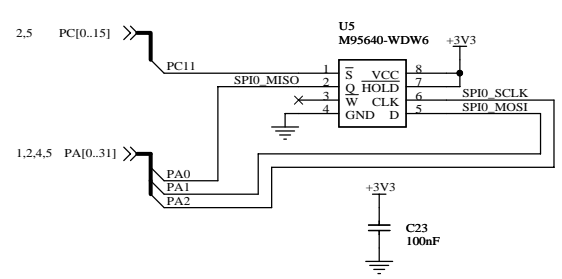
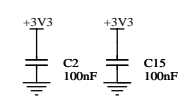
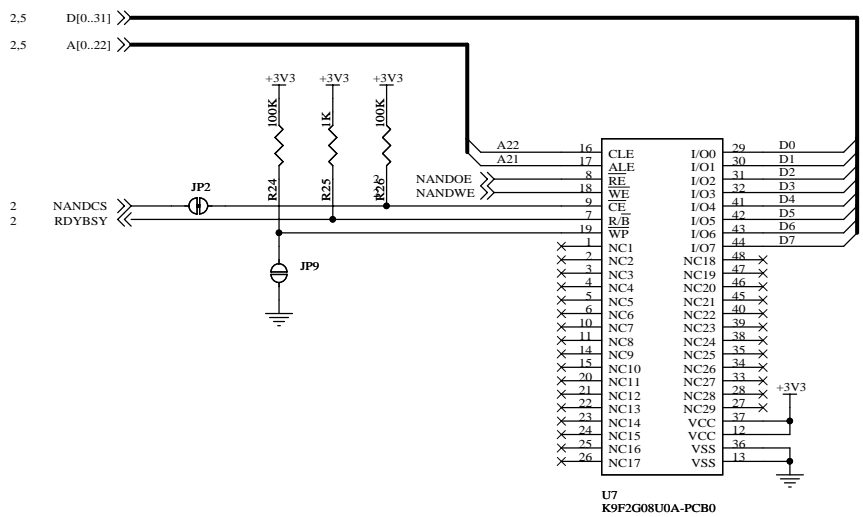
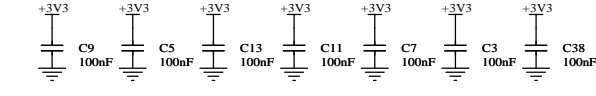
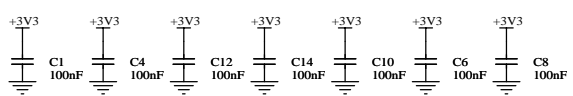
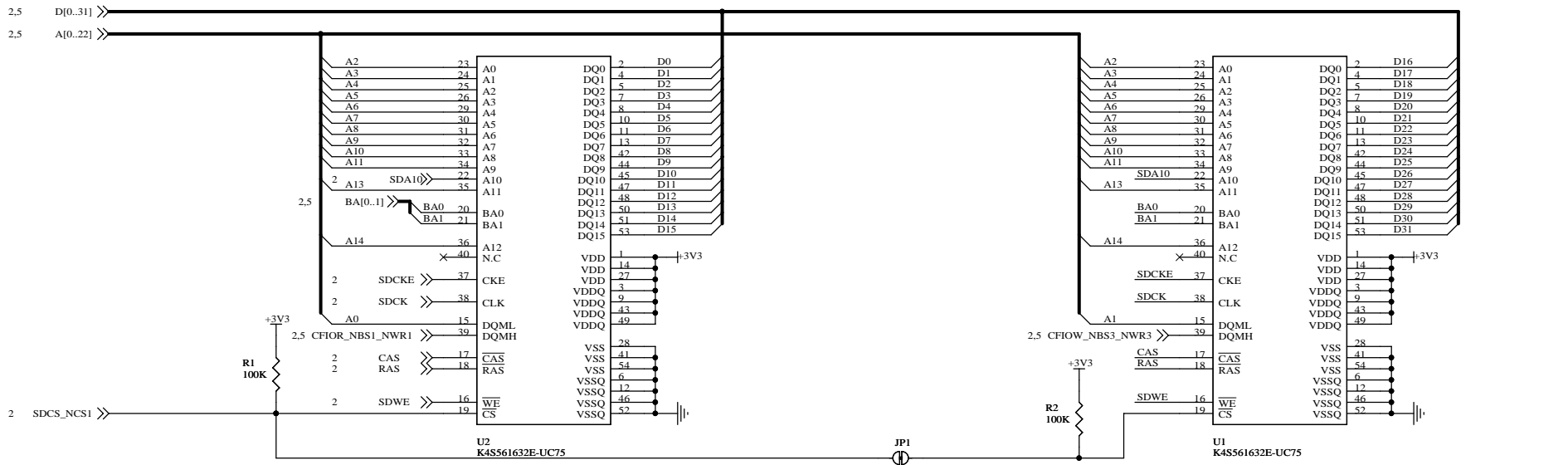




Rev	Date	Revision History	Drawn	Approved
A01	04/06/07	Initial	SD	GH
Scale :	N/A	Product :	QIL-A9260	
Sheet Size :	A2	Document Number :	SCH-00006-A01	
Folio :	2/5	Title :	AT91SAM9260	

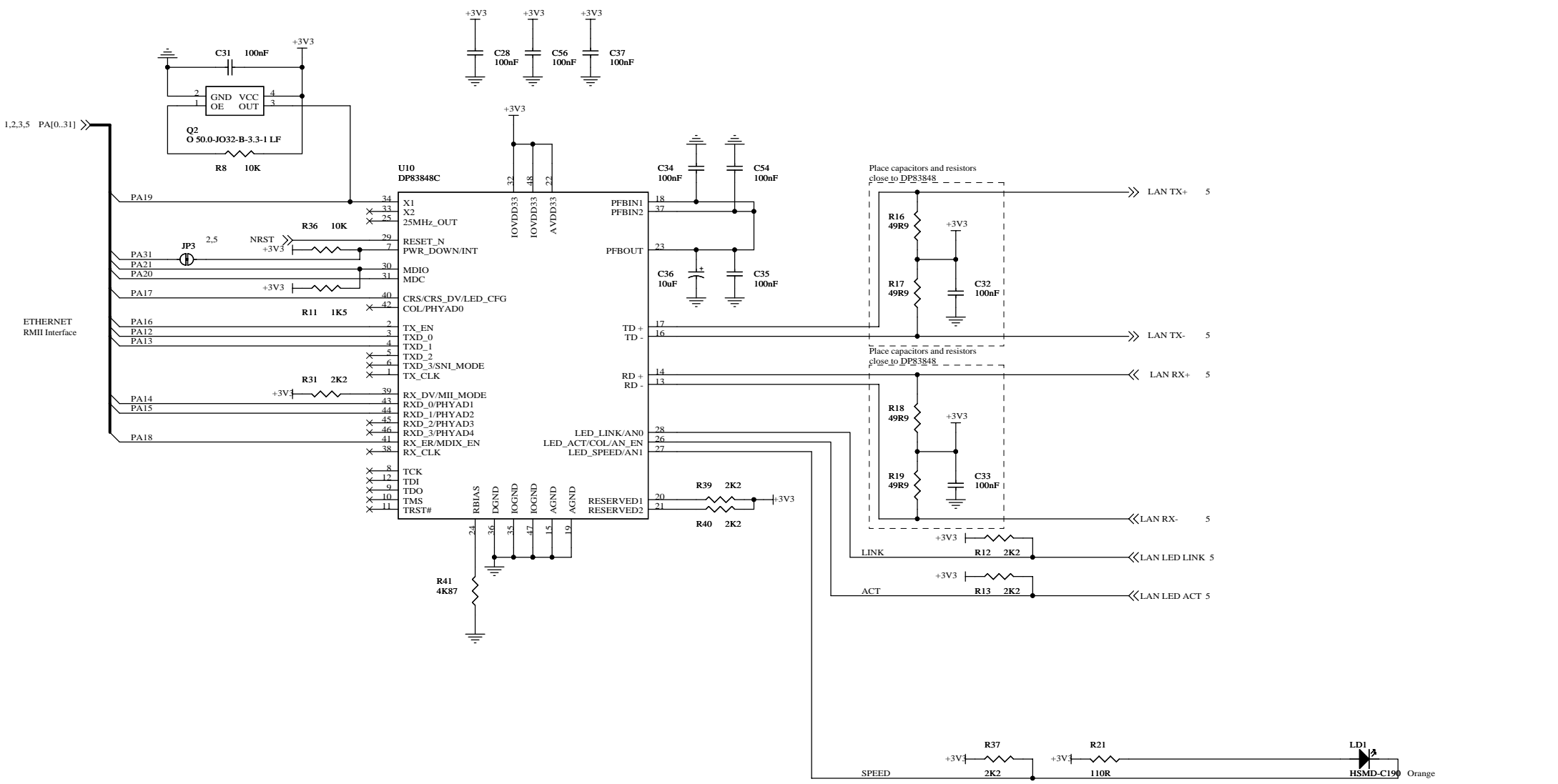


This drawing may not be reproduced without CALAO Systems prior written consent



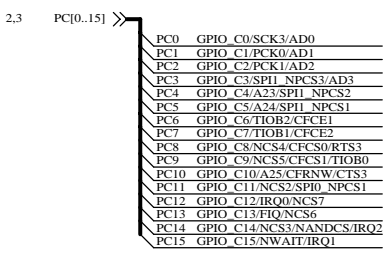
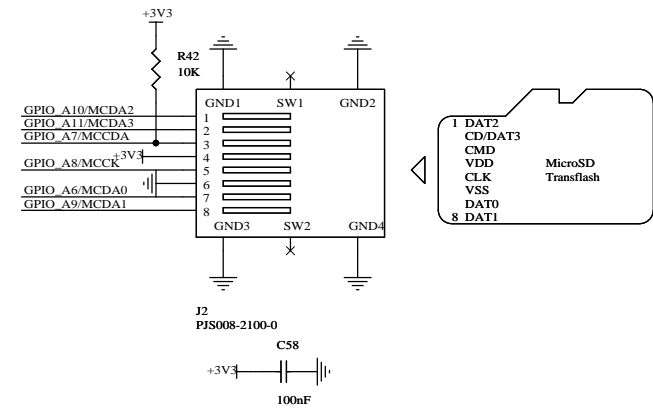
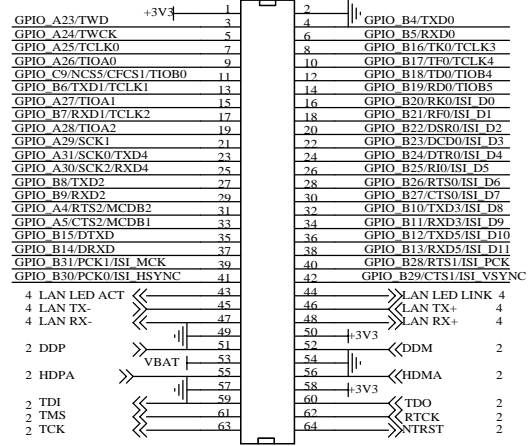
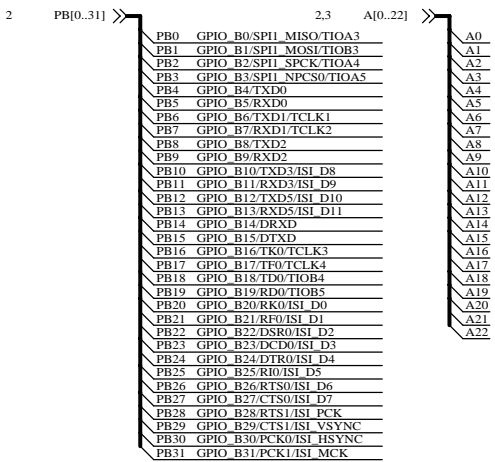
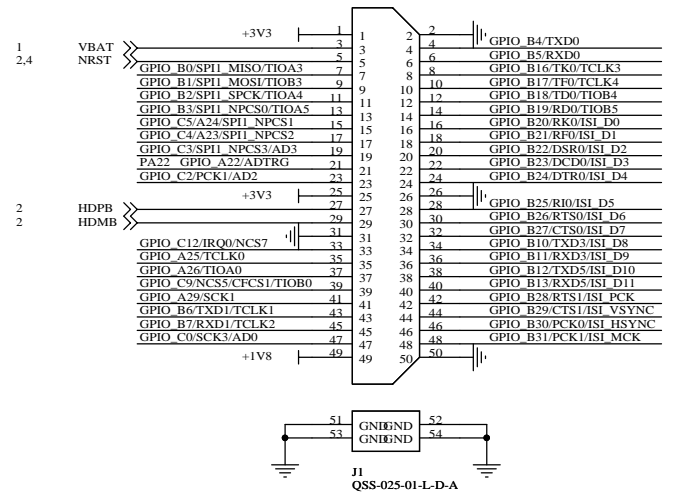
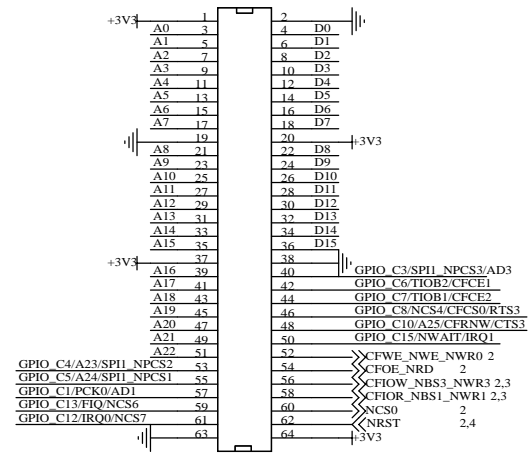
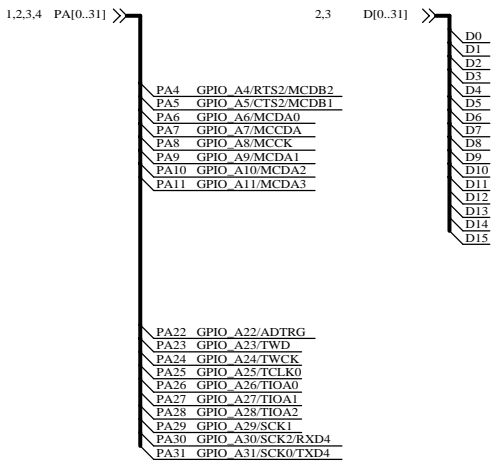
Rev	Date	Revision History	Drawn	Approved
A01	04/06/07	Initial	SD	GH
Scale : N/A      Product : QIL-A9260 Sheet Size : A3      Document Number : SCH-00006-A01 Folio : 3/5      Title : SDRAM & NAND FLASH				
This drawing may not be reproduced without CALAO Systems prior written consent				





A01	04/06/07	Initial	SD	GH
Rev	Date	Revision History	Drawn	Approved
Scale :	N/A	Product :	QIL-A9260	
Sheet Size :	A3	Document Number :	SCH-00006-A01	
Folio :	4/5	Title :	ETHERNET	
This drawing may not be reproduced without CALAO Systems prior written consent				





A01	04/06/07	Initial	SD	GH
Rev	Date	Revision History	Drawn	Approved
Scale :	N/A	Product :	QIL-A9260	
Sheet Size :	A3	Document Number :	SCH-00006-A01	
Folio :	5/5	Title :	MicroSD & I/O Connectors	
This drawing may not be reproduced without CALAO Systems prior written consent				

