

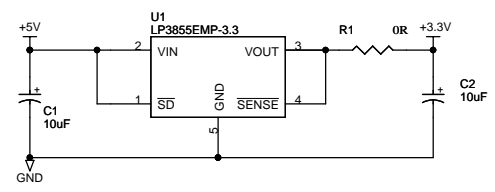
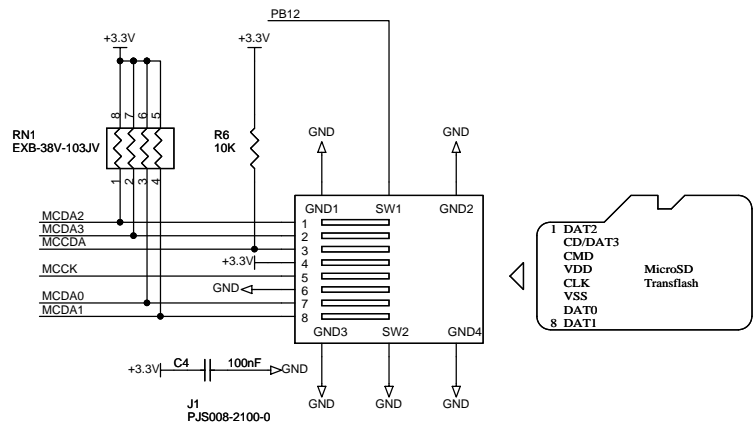
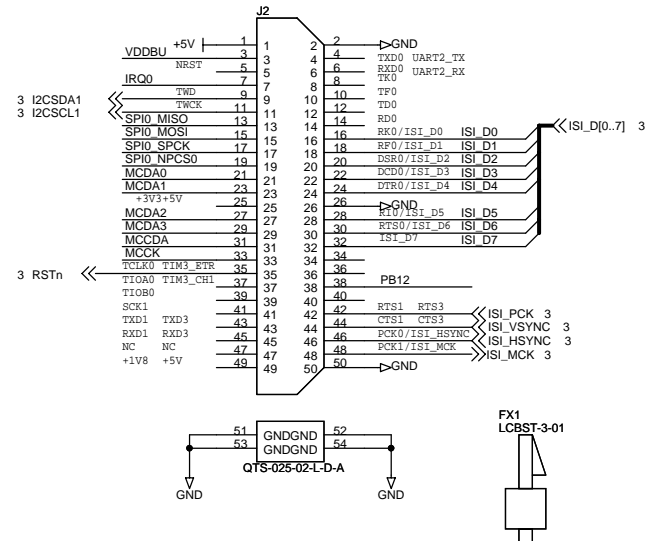
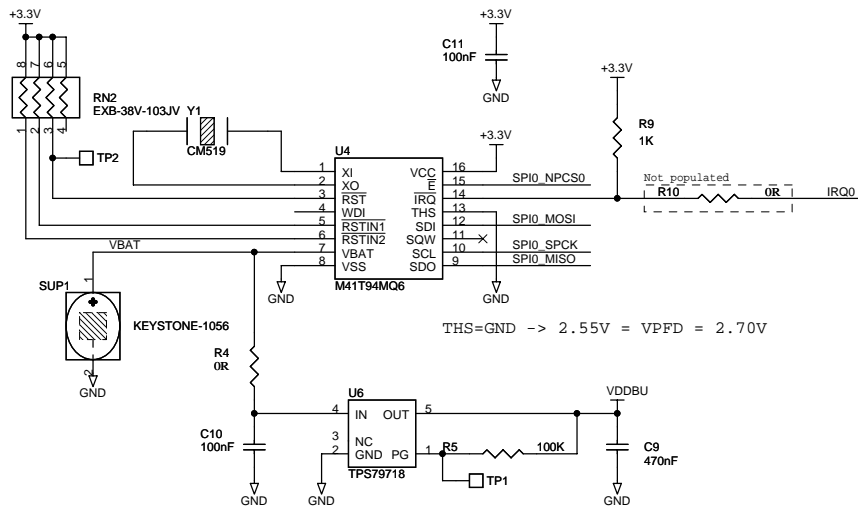
DAB - CAM

Revision	Date	
0.1	01/07/2008	- Initial version

0.1	01/07/2008	- Initial version	GH	
Rev	Date	Revision History	Drawn	Approved
Scale :		Product :	DAB - CAM	
Sheet Size : A3		Document Number :	SCH-00038-A01	
Folio : 1 / 3		Title :	HISTORY	
This drawing may not be reproduced without CALAO Systems prior written consent				



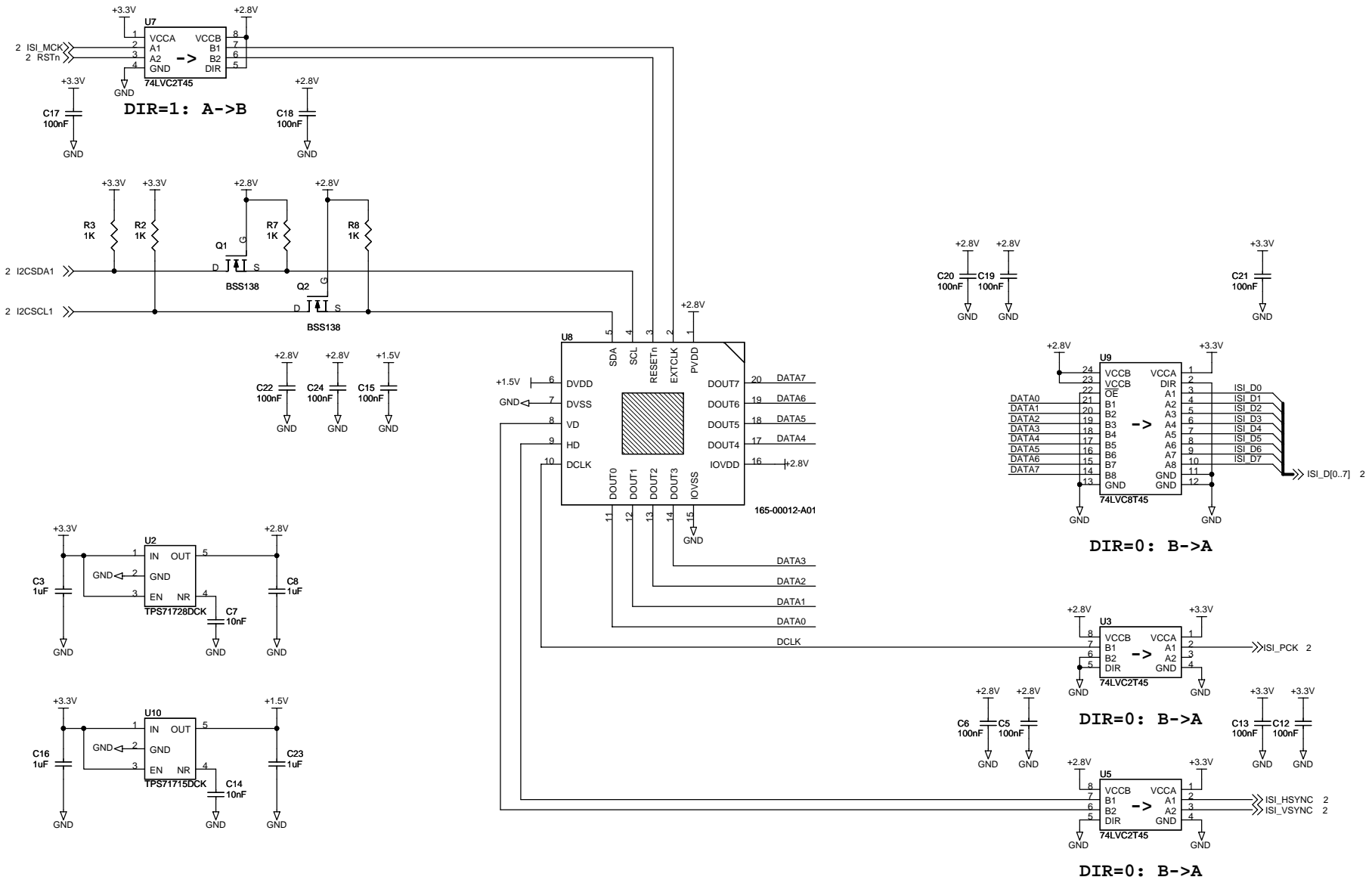
Components on solder side



Rev	Date	Revision History	Drawn	Approved
0.1	01/07/2008	- Initial version	GH	
Scale :		Product :	DAB-CAM	
Sheet Size : A3		Document Number :	SCH-00038-A01	
Folio : 2 / 3		Title :	RTC & MicroSD Card	
This drawing may not be reproduced without CALAO Systems prior written consent				



www.calao-systems.com



0.1	01/07/2008	- Initial version	GH	
Rev	Date	Revision History	Drawn	Approved
Scale :		Product :	DAB-CAM	
Sheet Size : A3		Document Number :	SCH-00038-A01	
Folio : 3 / 3		Title :	TCM8230MD CAMERA MODULE	
This drawing may not be reproduced without CALAO Systems prior written consent				

