
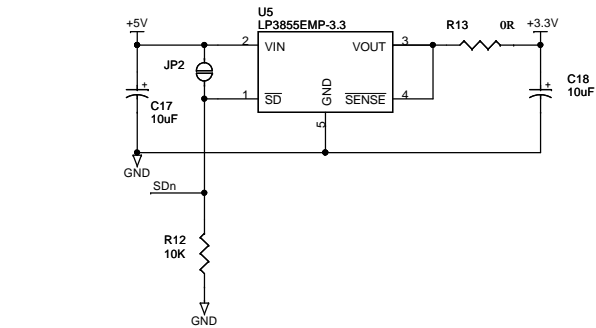
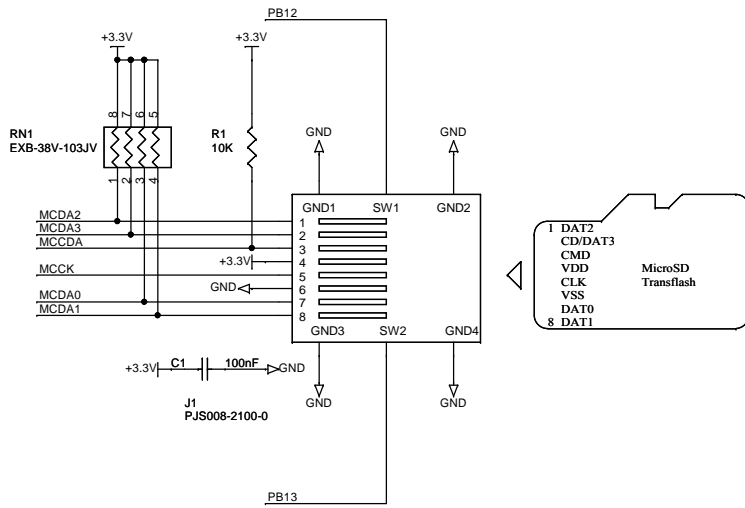
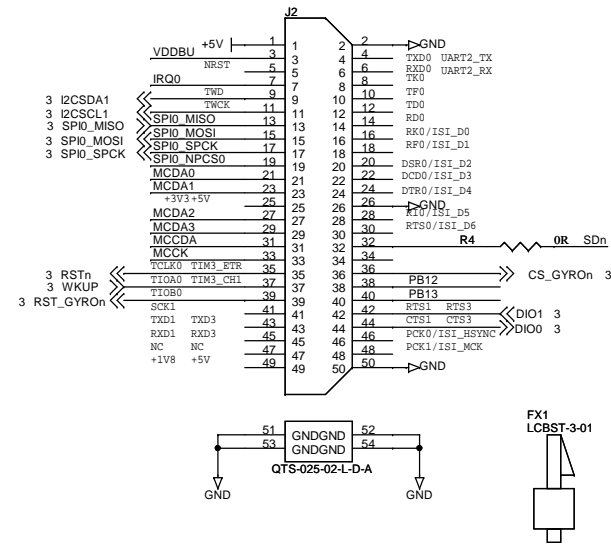
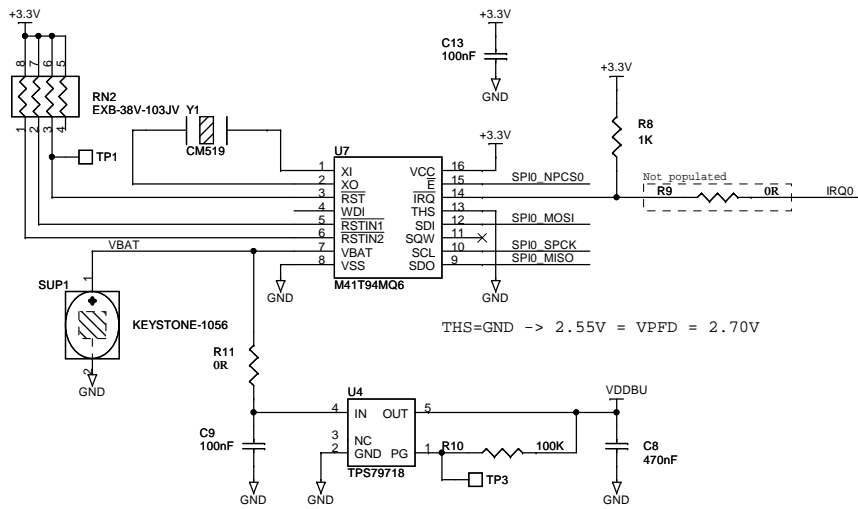


# DAB-USB-A9260-IMU

Revision	Date	
A01	15/05/2008	- Initial version

A01	15/05/2008	- Initial version	GH	
Rev	Date	Revision History	Drawn	Approved
Scale :		Product : DAB-USB-A9260-IMU	 www.calao-systems.com	
Sheet Size : A3		Document Number : SCH-00028-A01		
Folio : 1 / 3		Title : HISTORY		
This drawing may not be reproduced without CALAO Systems prior written consent				

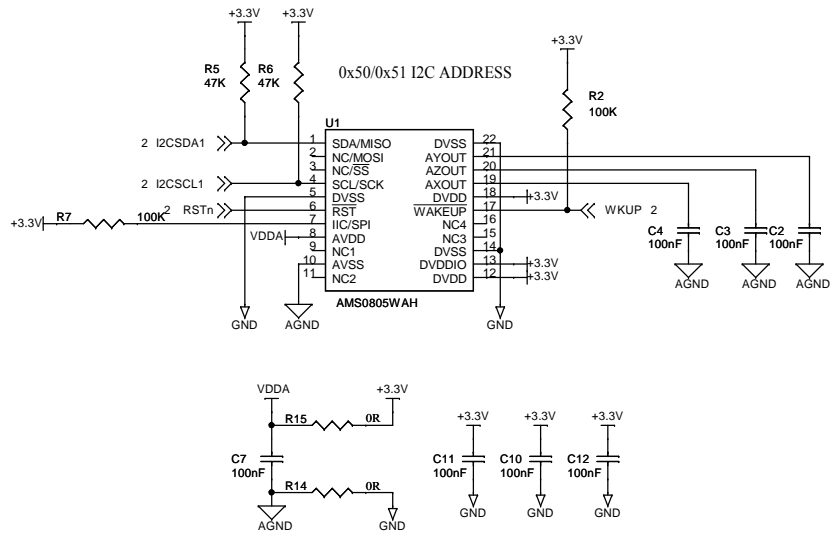
Components on solder side



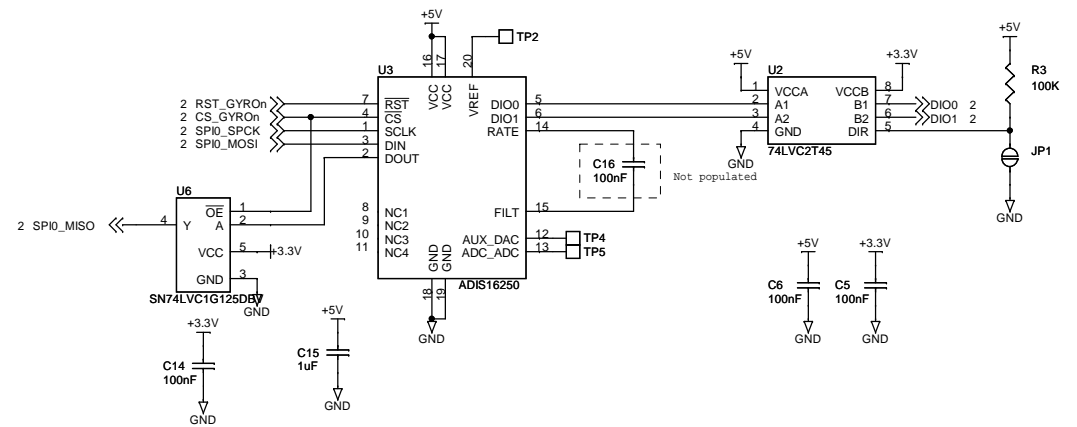
Rev	Date	Revision History	Drawn	Approved
A01	15/05/2008	- Initial version	GH	
Scale :		Product :	DAB-USB-A9260-IMU	
Sheet Size : A3		Document Number :	SCH-00028-A01	
Folio : 2 / 3		Title :	RTC & MicroSD Card	
This drawing may not be reproduced without CALAO Systems prior written consent				



### 3-axis magnetic sensor and 3-axis accelerometer



### Programmable Low Power Gyroscope



Rev	Date	Revision History	Drawn	Approved
A01	15/05/2008	- Initial version	GH	
Scale :		Product :		DAB-USB-A9260-IMU
Sheet Size : A3		Document Number :		SCH-00028-A01
Folio : 3 / 3		Title :		EZURIO MODULE CONNECTOR
This drawing may not be reproduced without CALAO Systems prior written consent				



www.calao-systems.com