
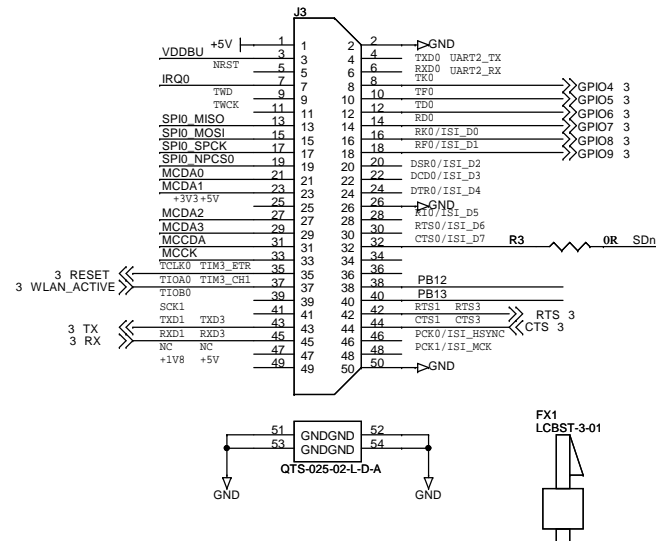
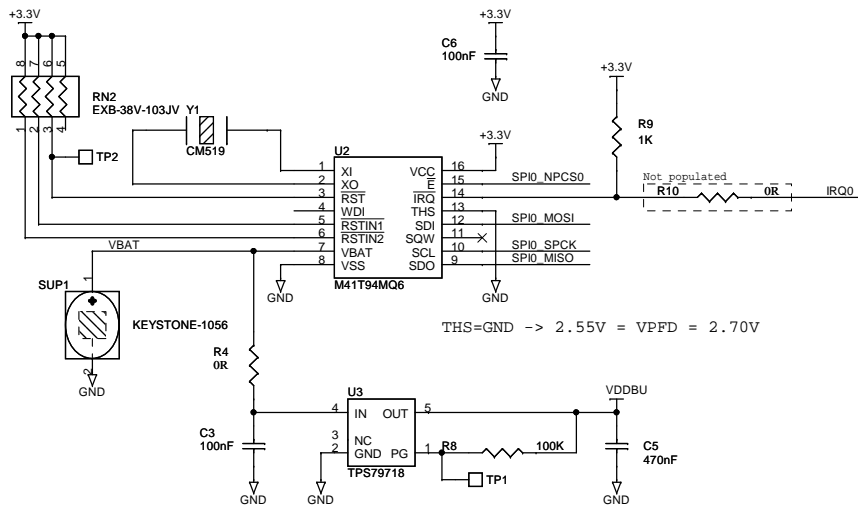


DAB-USB-A9260-WLS

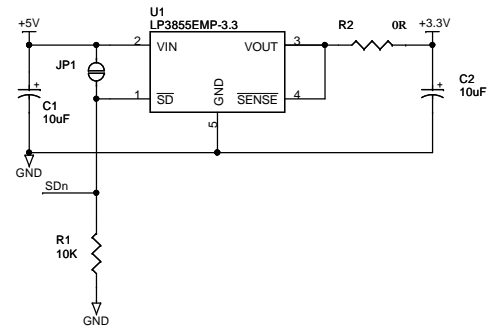
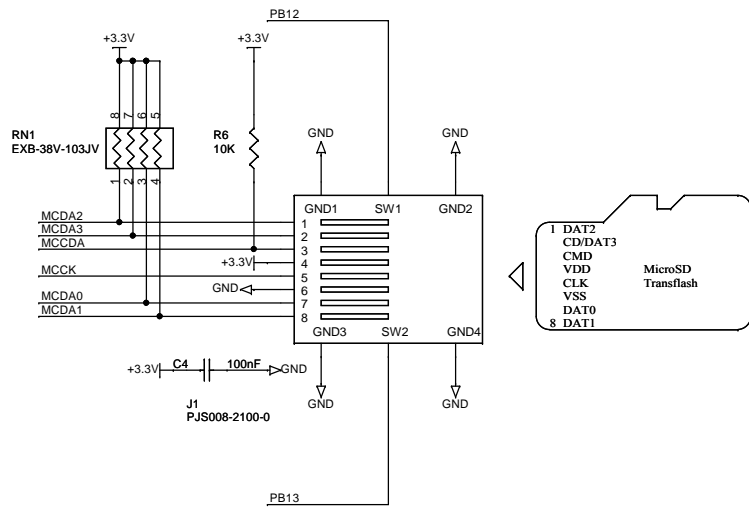
Revision	Date	
A01	15/05/2008	- Initial version

A01	15/05/2008	- Initial version	GH	
Rev	Date	Revision History	Drawn	Approved
Scale :		Product : DAB-USB-A9260-WLS	 www.calao-systems.com	
Sheet Size : A3		Document Number : SCH-00026-A01		
Folio : 1 / 3		Title : HISTORY		
This drawing may not be reproduced without CALAO Systems prior written consent				

Components on solder side

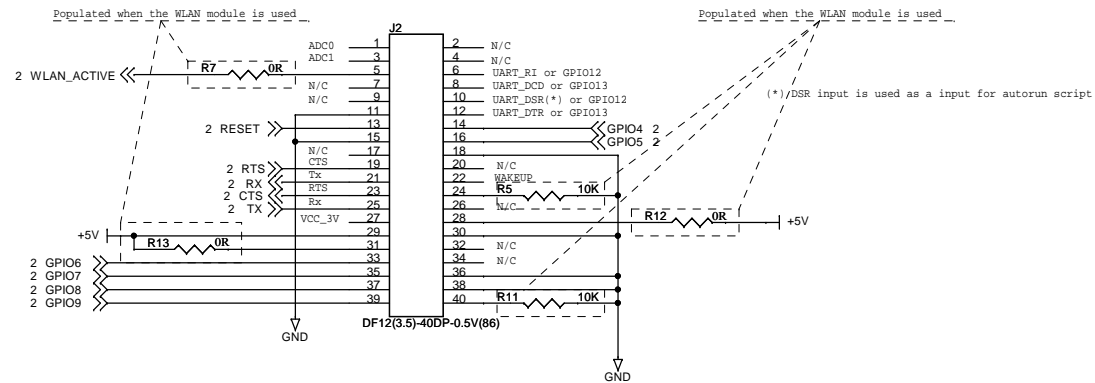


USB-A9260 / USB-S103V



Rev	Date	Revision History	Drawn	Approved
A01	15/05/2008	- Initial version	GH	
Scale :		Product :	DAB-USB-A9260-WLS	
Sheet Size : A3		Document Number :	SCH-00026-A01	
Folio : 2 / 3		Title :	RTC & MicroSD Card	
This drawing may not be reproduced without CALAO Systems prior written consent				





In BT Module the SPI interface (pin 5, 7, 9, 17) is used to program the firmware updates.
 In BT Module the PCM interface is not wired (pin 20, 22, 24, 26).

Rev	Date	Revision History	Drawn	Approved
A01	25/02/2008	- Initial version	GH	
Scale :		Product :	DAB-USB-A9260-WLS	
Sheet Size : A3		Document Number :	SCH-00026-A01	
Folio : 3 / 3		Title :	EZURIO MODULE CONNECTOR	
This drawing may not be reproduced without CALAO Systems prior written consent				

