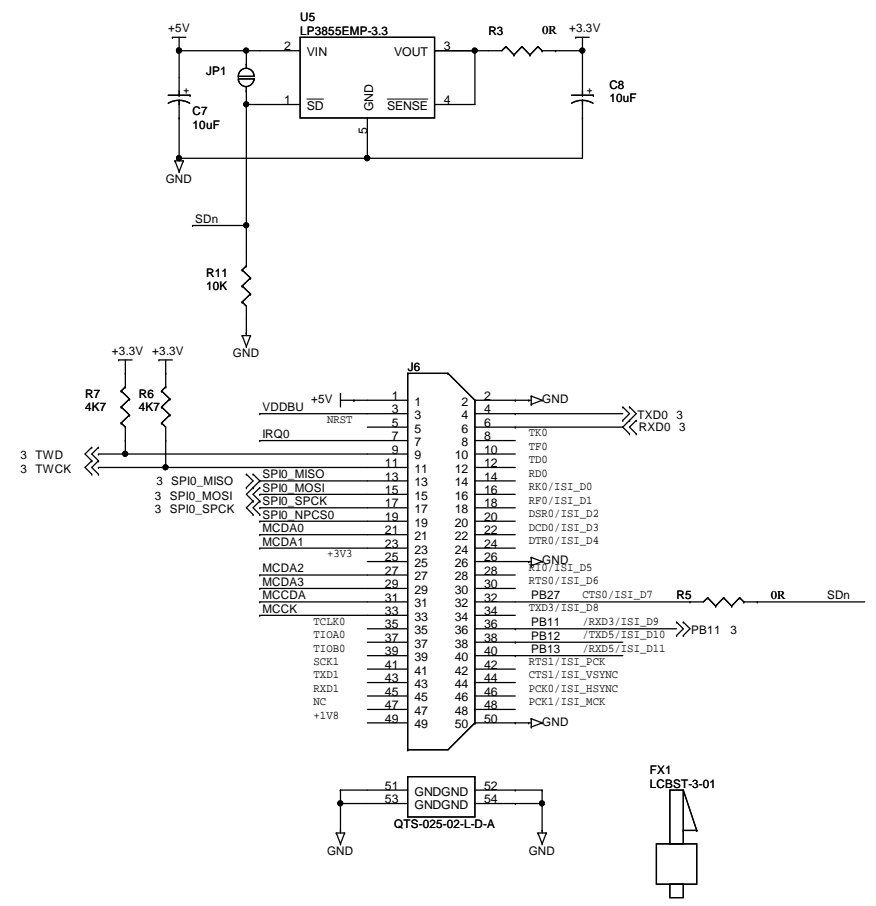
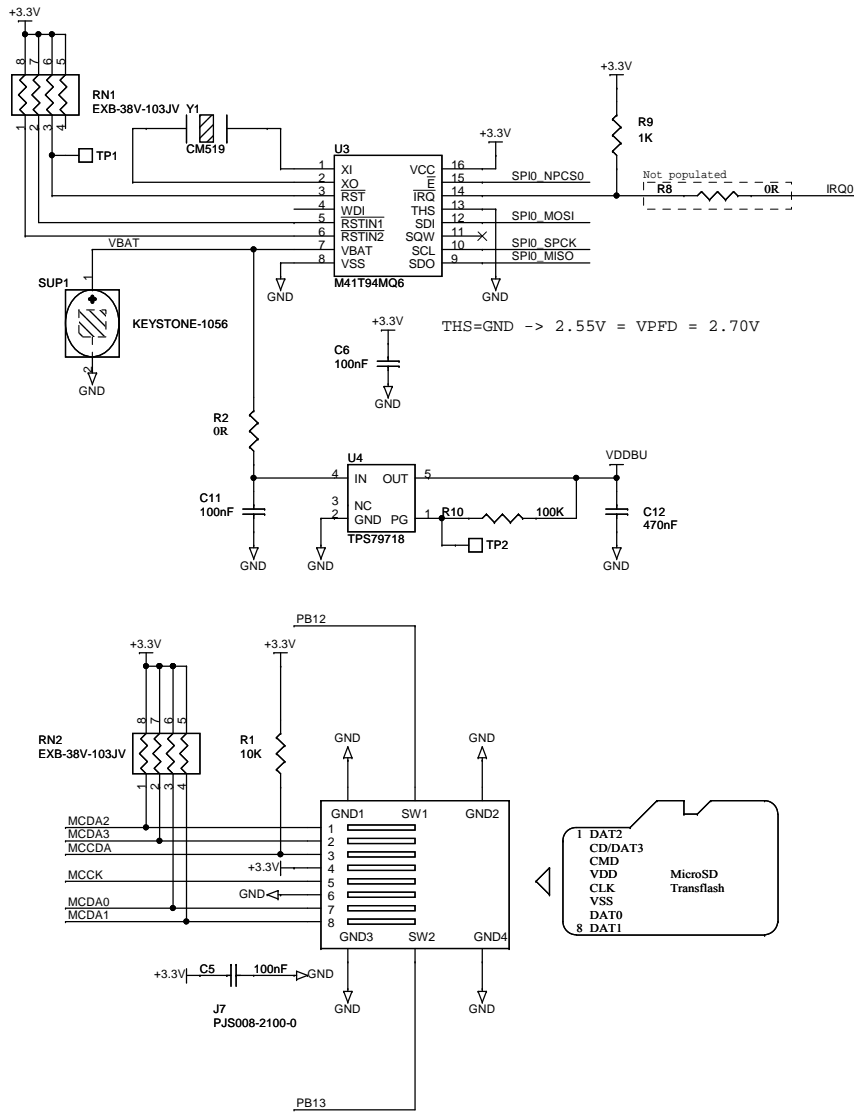


DAB-USB-A9260-GPI

Revision	Date	
A01	05/02/2008	- Initial version
B01	15/05/2008	- 1.8V LDO Regulator added for VDDBU - 1.27mm header + jumper added on 1-WIRE Interface

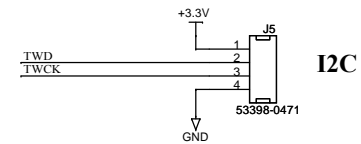
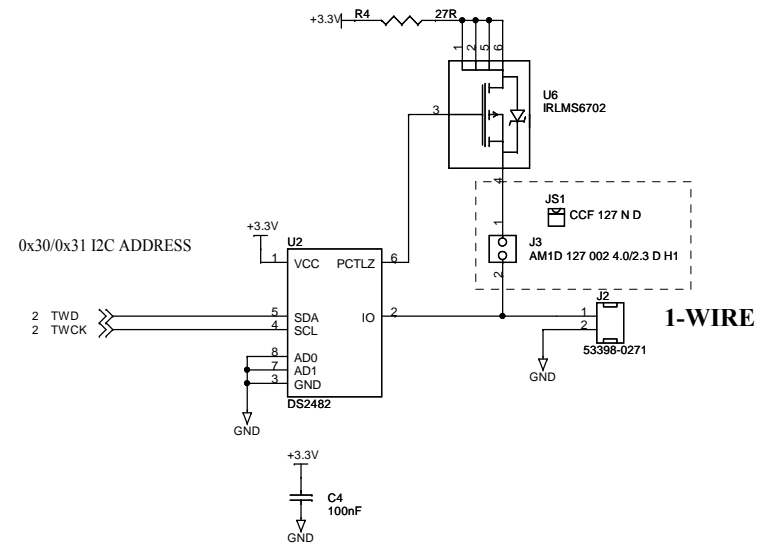
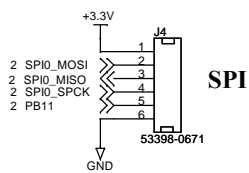
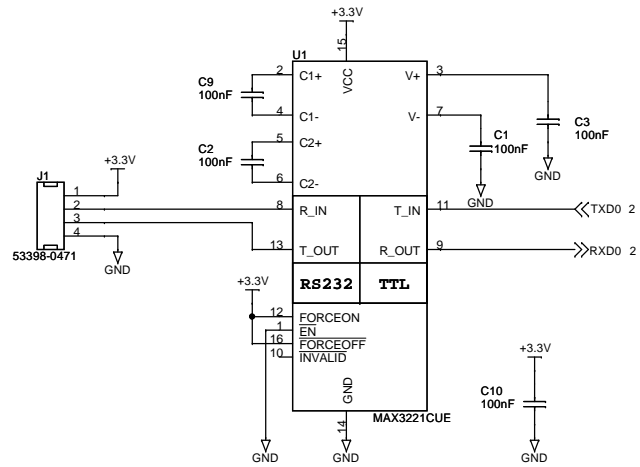
B01	15/05/2008		GH	
A01	05/02/2008	- Initial version	GH	
Rev	Date	Revision History	Drawn	Approved
Scale :		Product :	DAB-USB-A9260-GPI	
Sheet Size : A3		Document Number :	SCH-00018-B01	
Folio : 1 / 3		Title :	HISTORY	
This drawing may not be reproduced without CALAO Systems prior written consent				





Rev	Date	Revision History	Drawn	Approved
B01	15/05/2008		GH	
A01	05/02/2008	- Initial version	GH	
Scale :		Product :	DAB-USB-A9260-GPI	
Sheet Size : A3		Document Number :	SCH-00018-B01	
Folio : 2 / 3		Title :	RTC & MicroSD Card	
This drawing may not be reproduced without CALAO Systems prior written consent				





Rev	Date	Revision History	Drawn	Approved
B01	15/05/2008		GH	
A01	05/02/2008	- Initial version	GH	
Scale :		Product :	DAB-USB-A9260-GPI	
Sheet Size : A3		Document Number :	SCH-00018-B01	
Folio : 3 / 3		Title :	RS232, 1-WIRE, SPI, I2C INTERFACES	
This drawing may not be reproduced without CALAO Systems prior written consent				



www.calao-systems.com